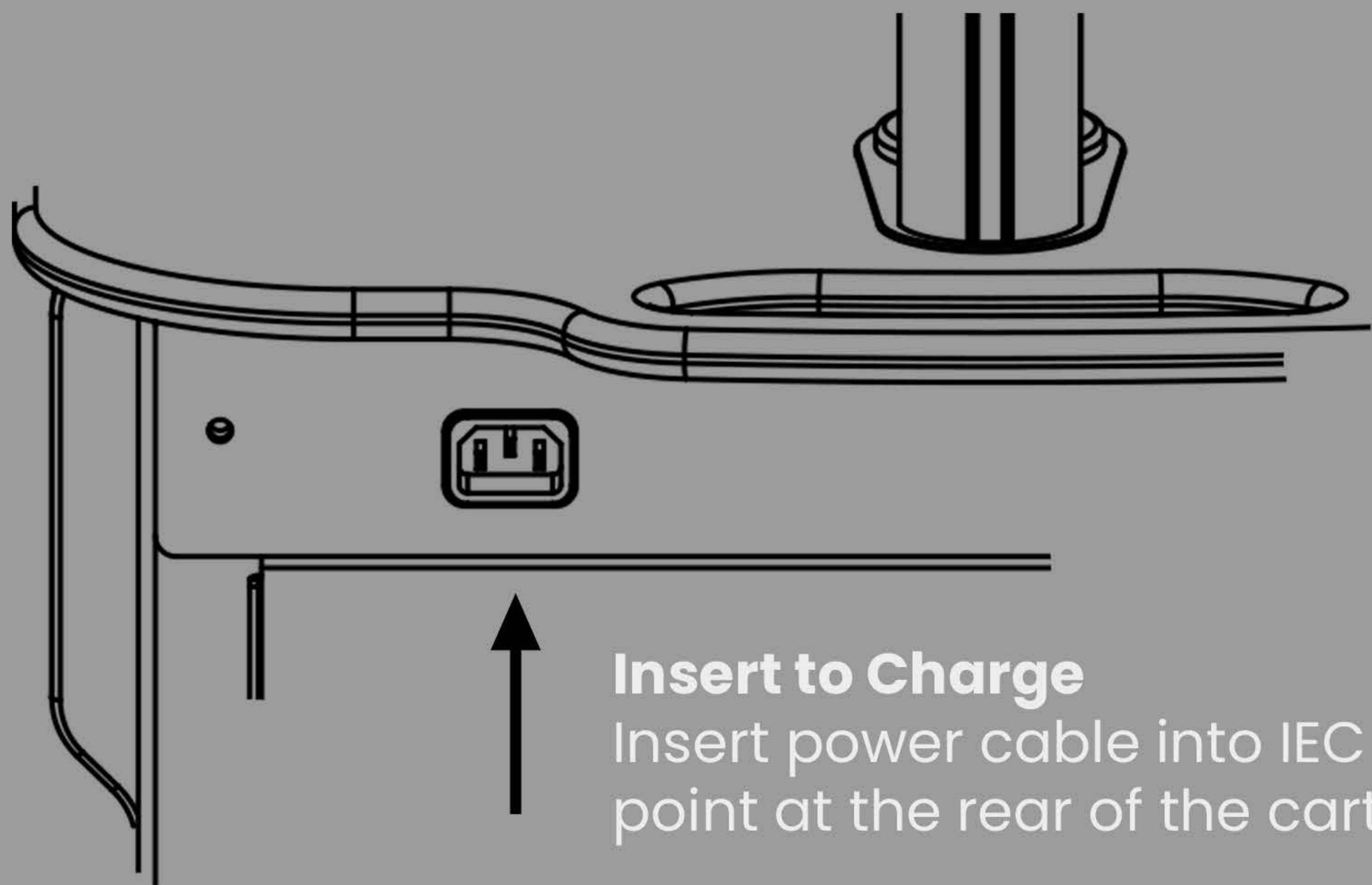
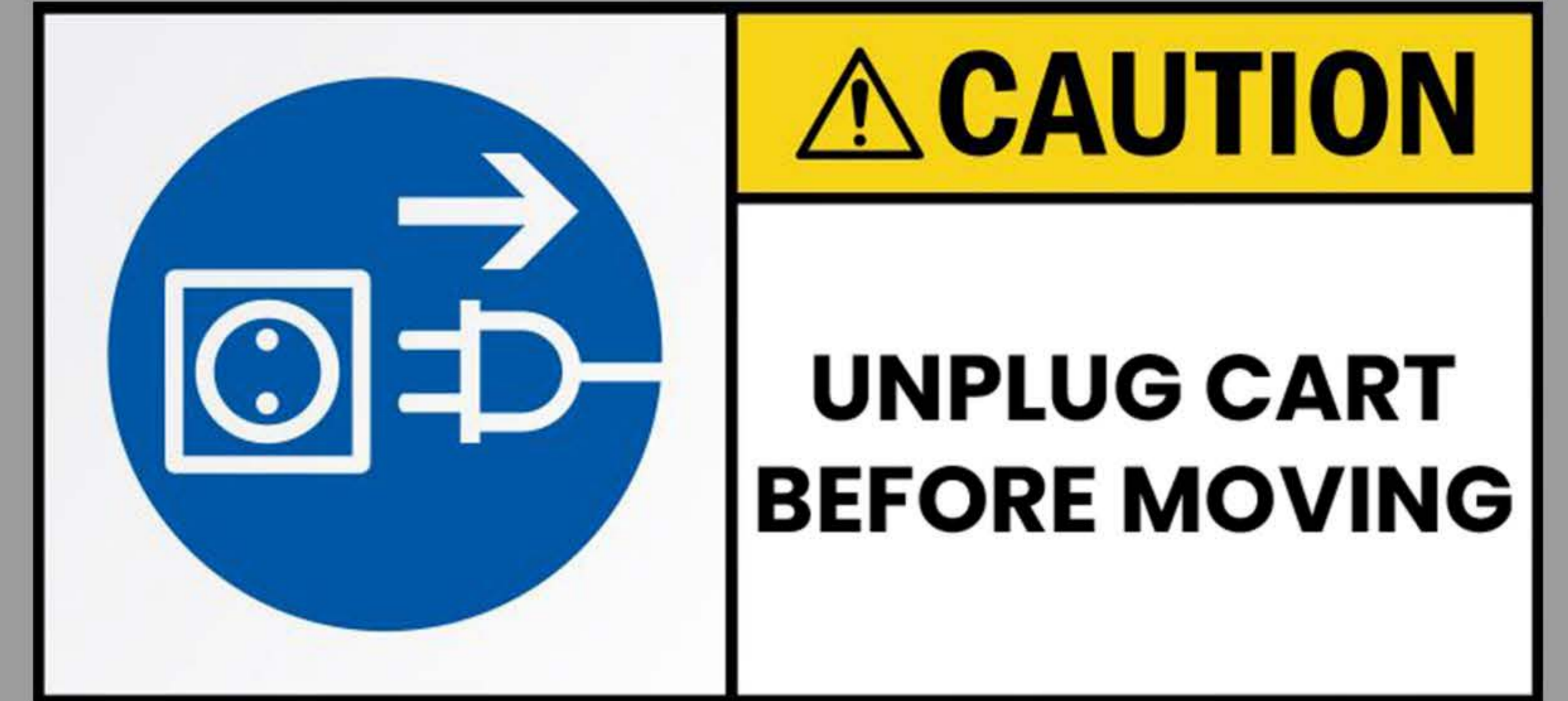


Charging CUBE

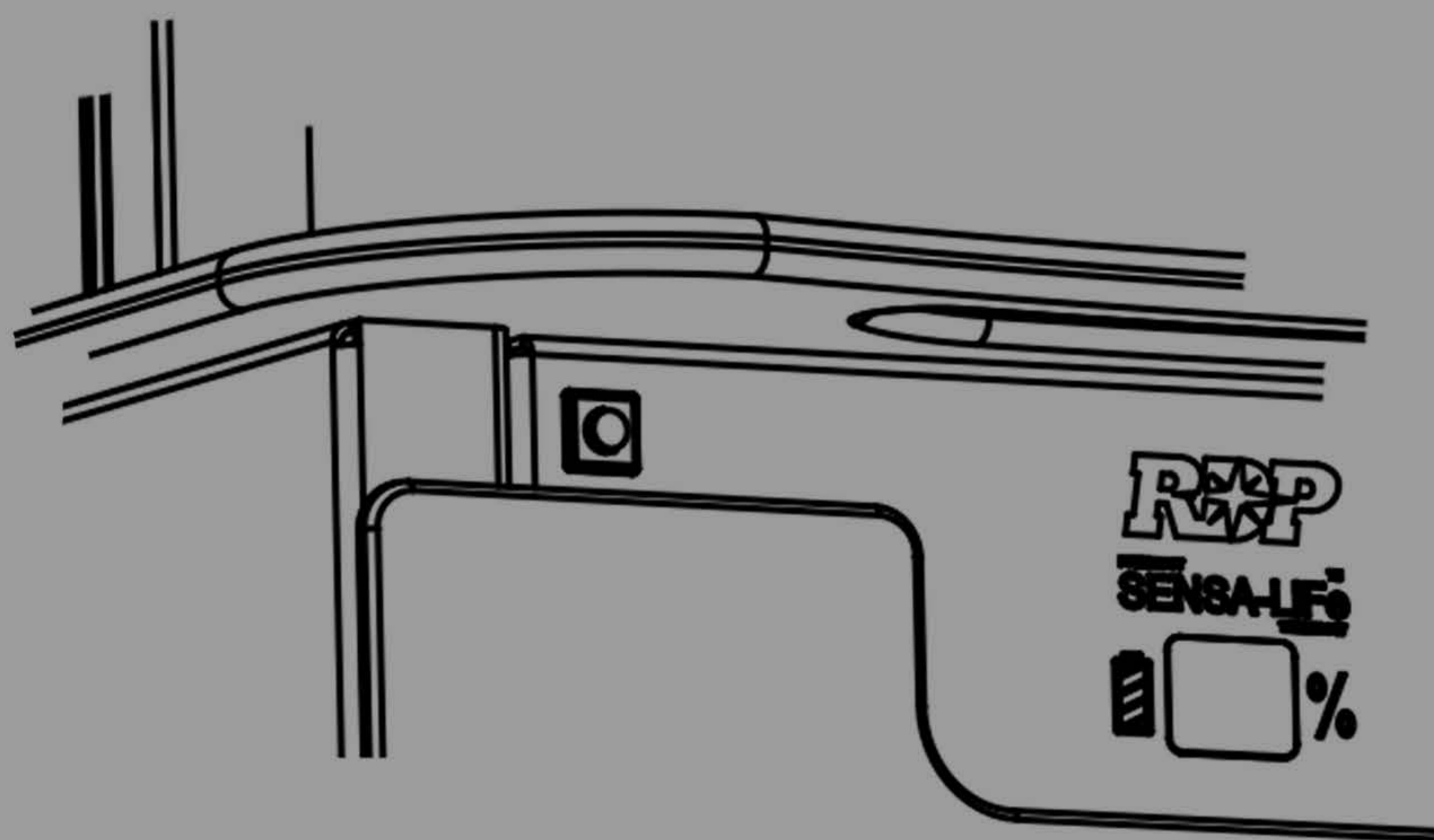


Insert to Charge
Insert power cable into IEC point at the rear of the cart.

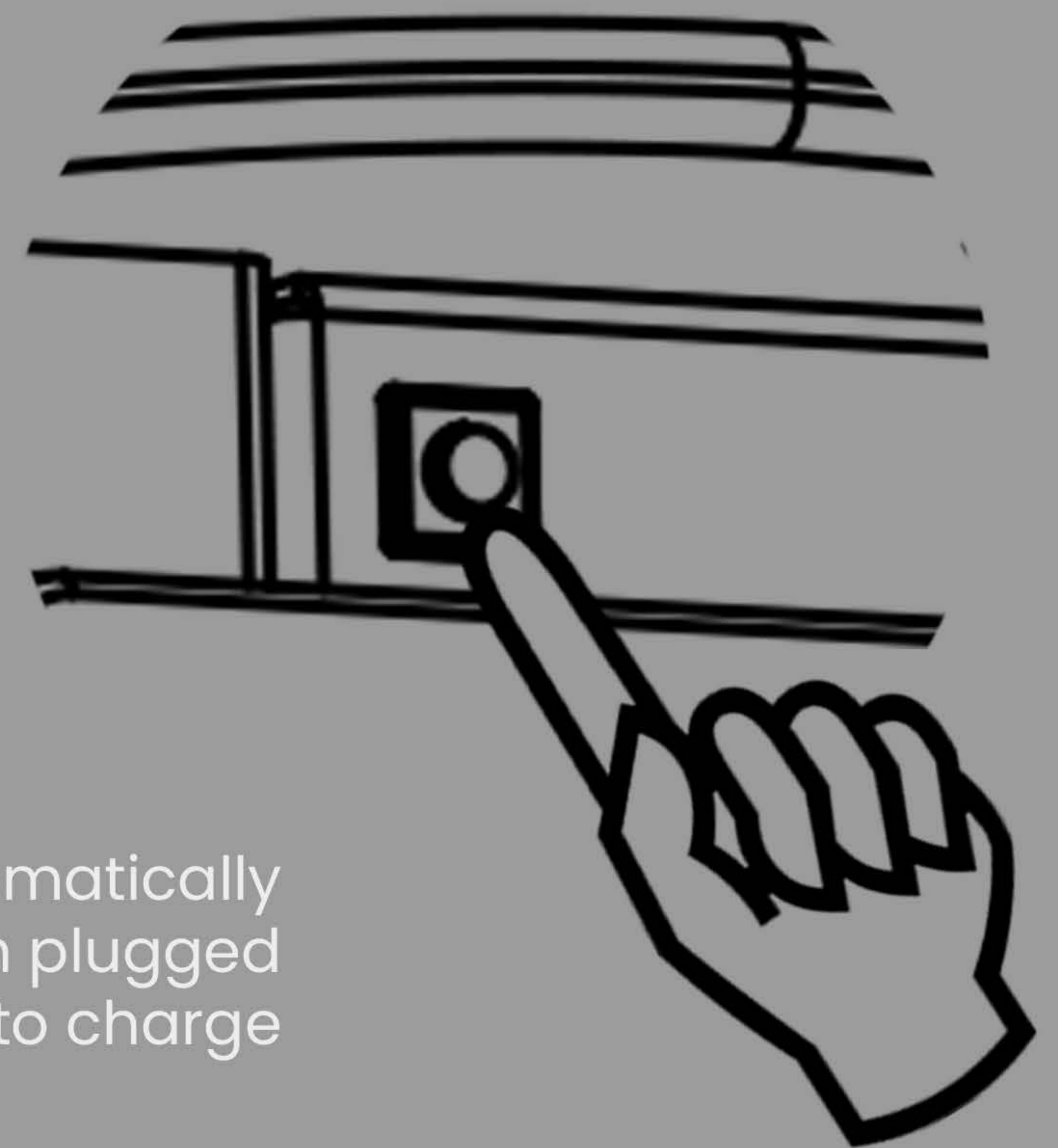


WARNING
Always unplug cart before moving

Power On



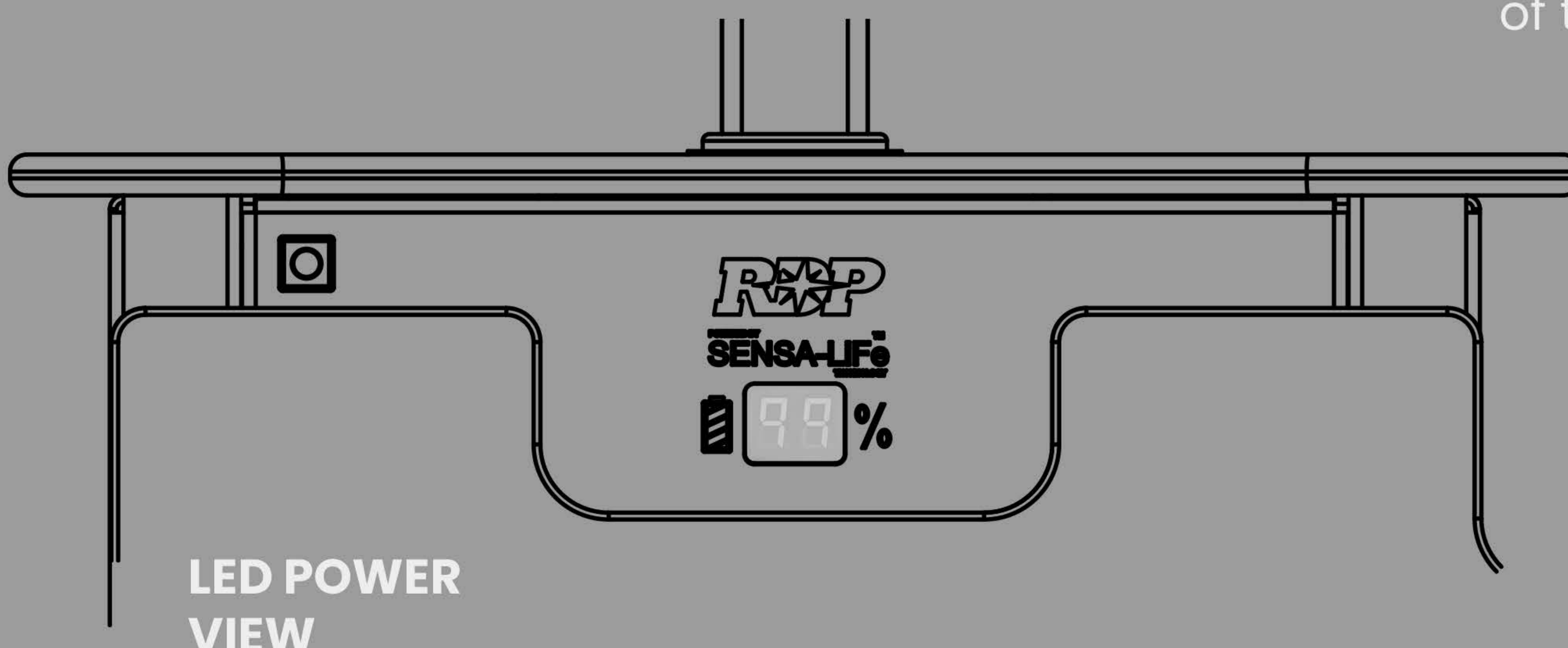
Switch Positioned on Front of CUBE
Press button once to turn on cart. To turn off cart press and hold for 5 seconds.



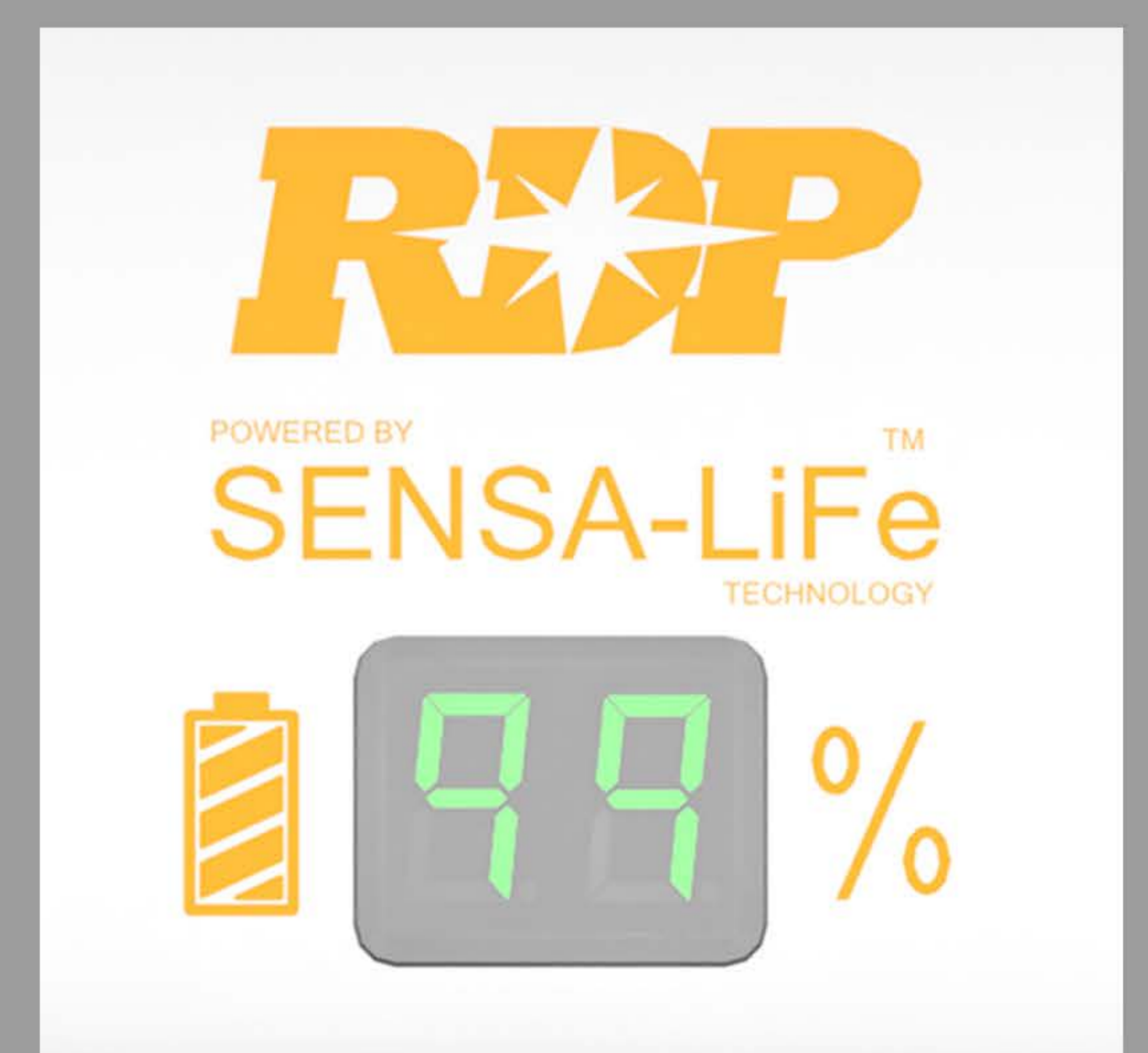
Note: Cart will automatically turn on when plugged in to charge

Power Display

Battery Indication
LED display will illuminate to indicate the battery status of the cart



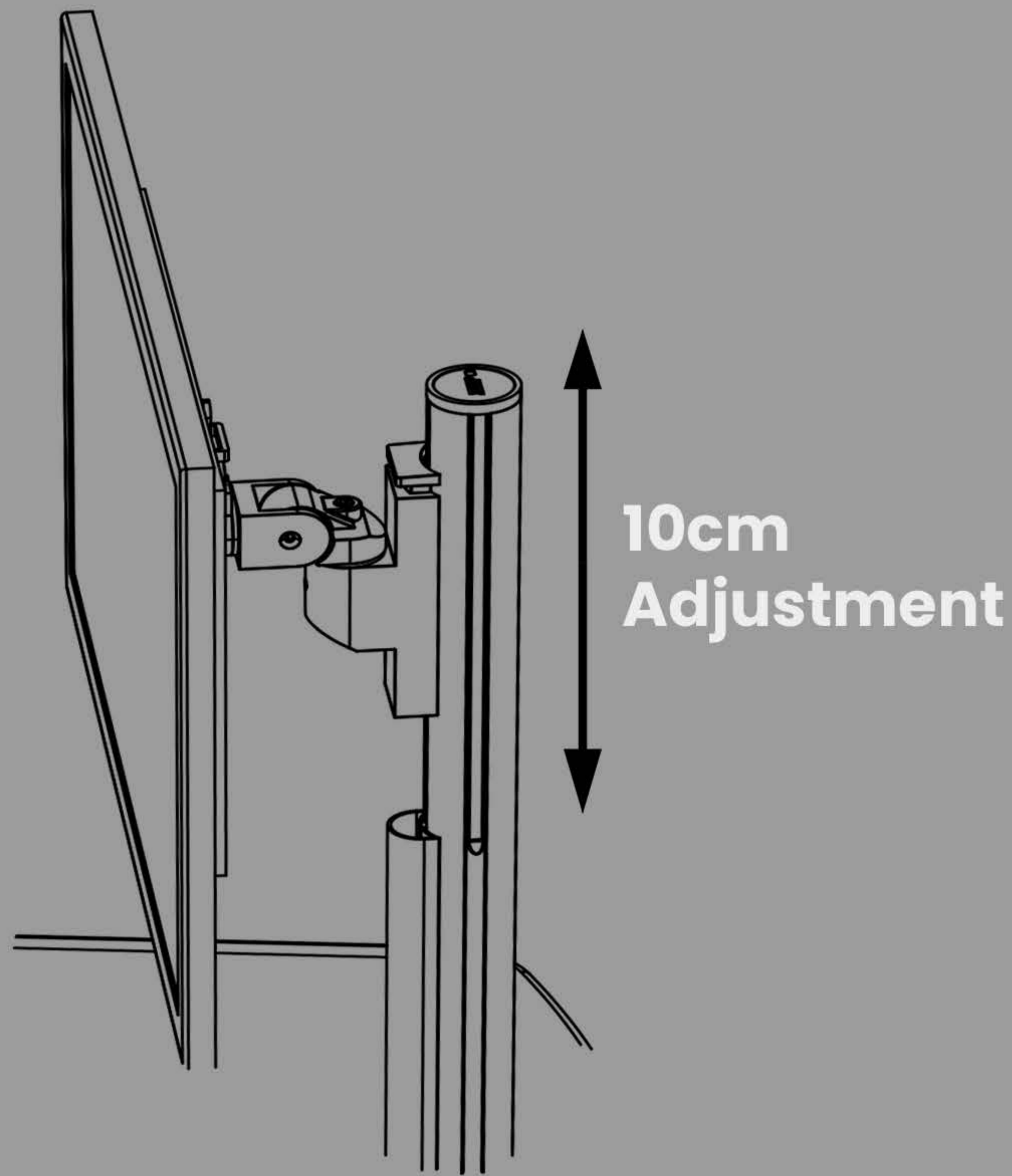
LED POWER VIEW



Plug the cart in when not in use

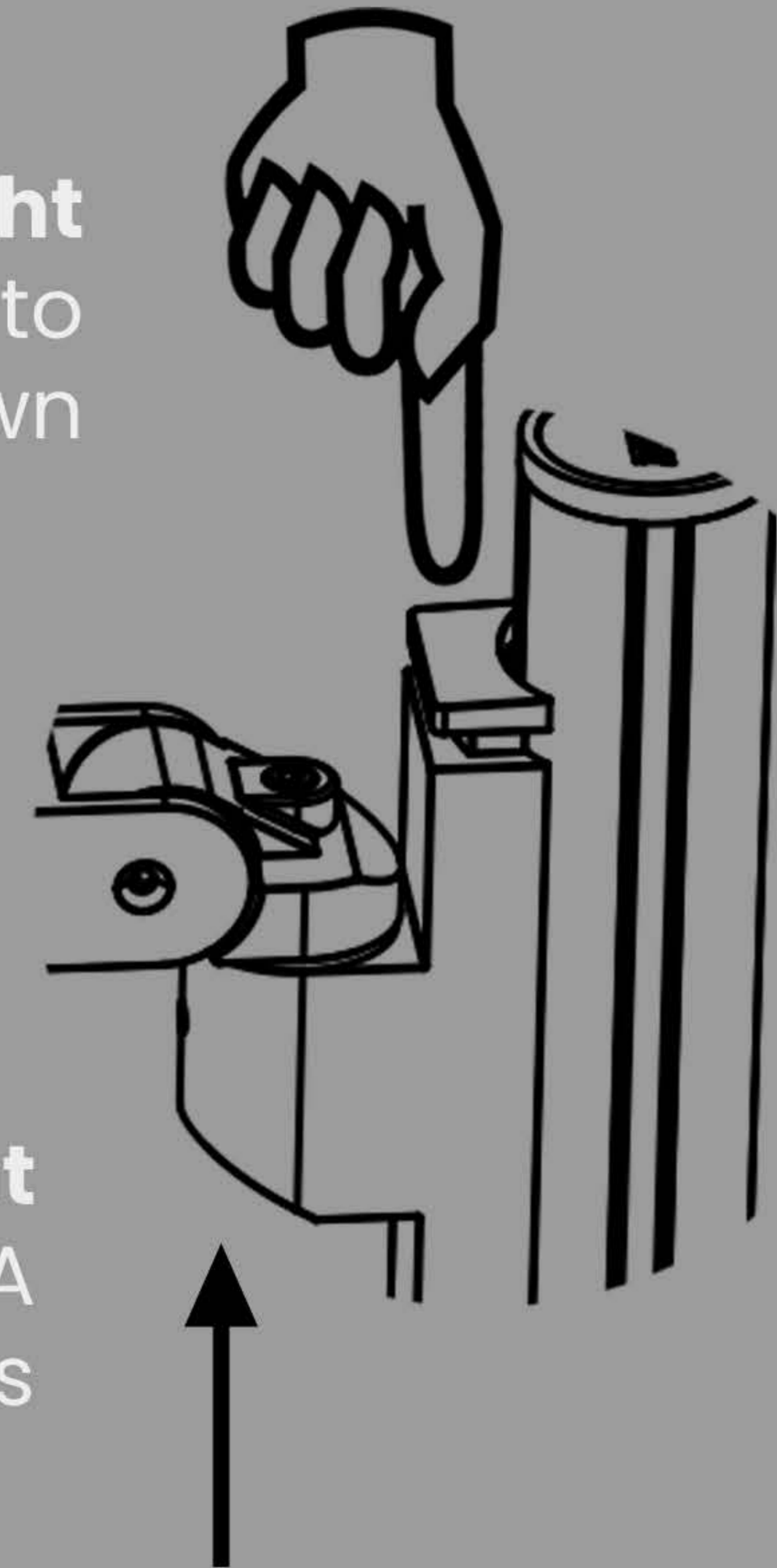


Monitor Adjustment



Lowering Monitor Height

Press top button to slide monitor down



Increasing Monitor Height

Simply lift the screen/VESA to move upwards

Castor Adjustment

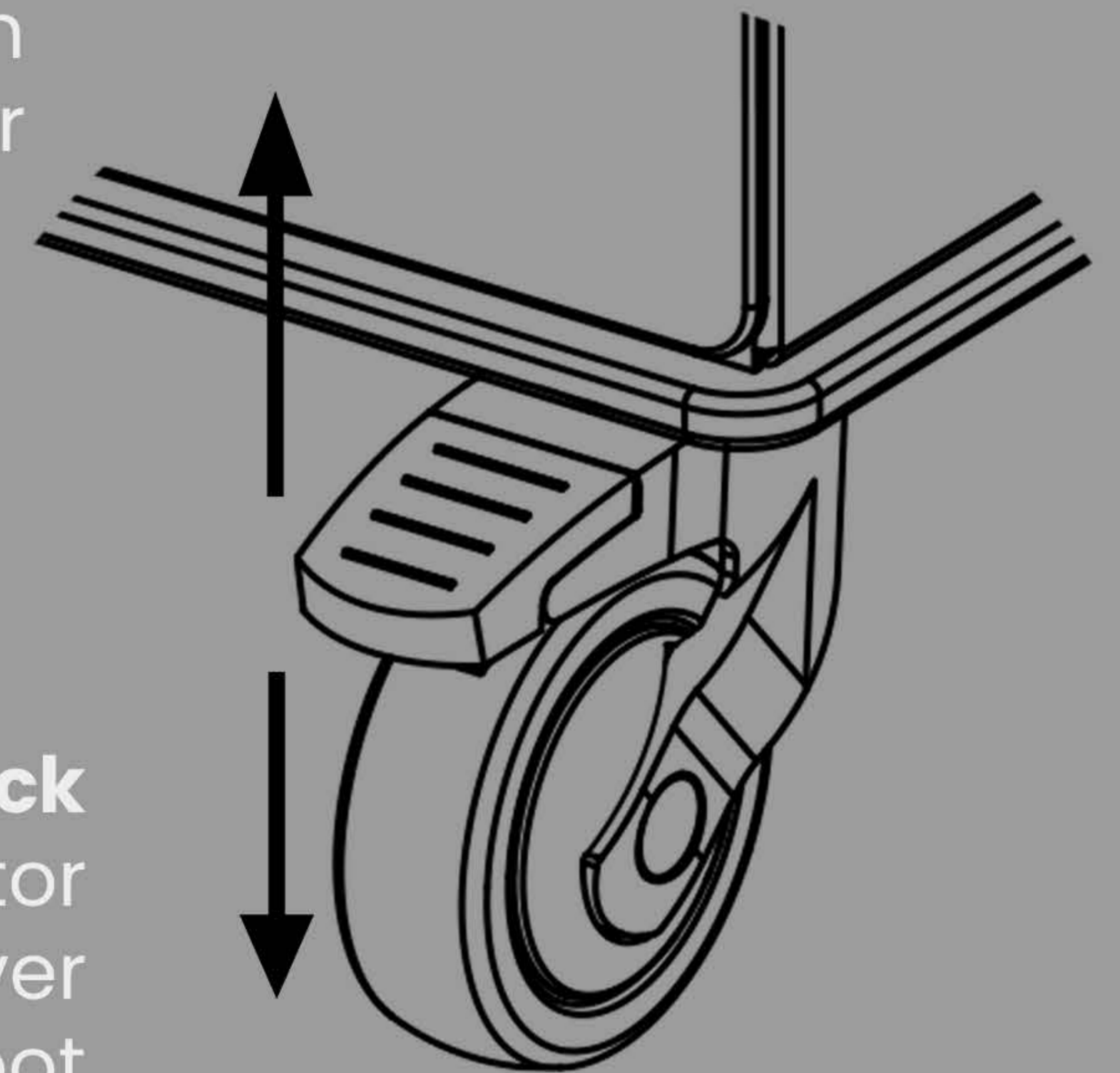
Castors

2x Locking front castors
2x Non locking rear castors



Un-lock

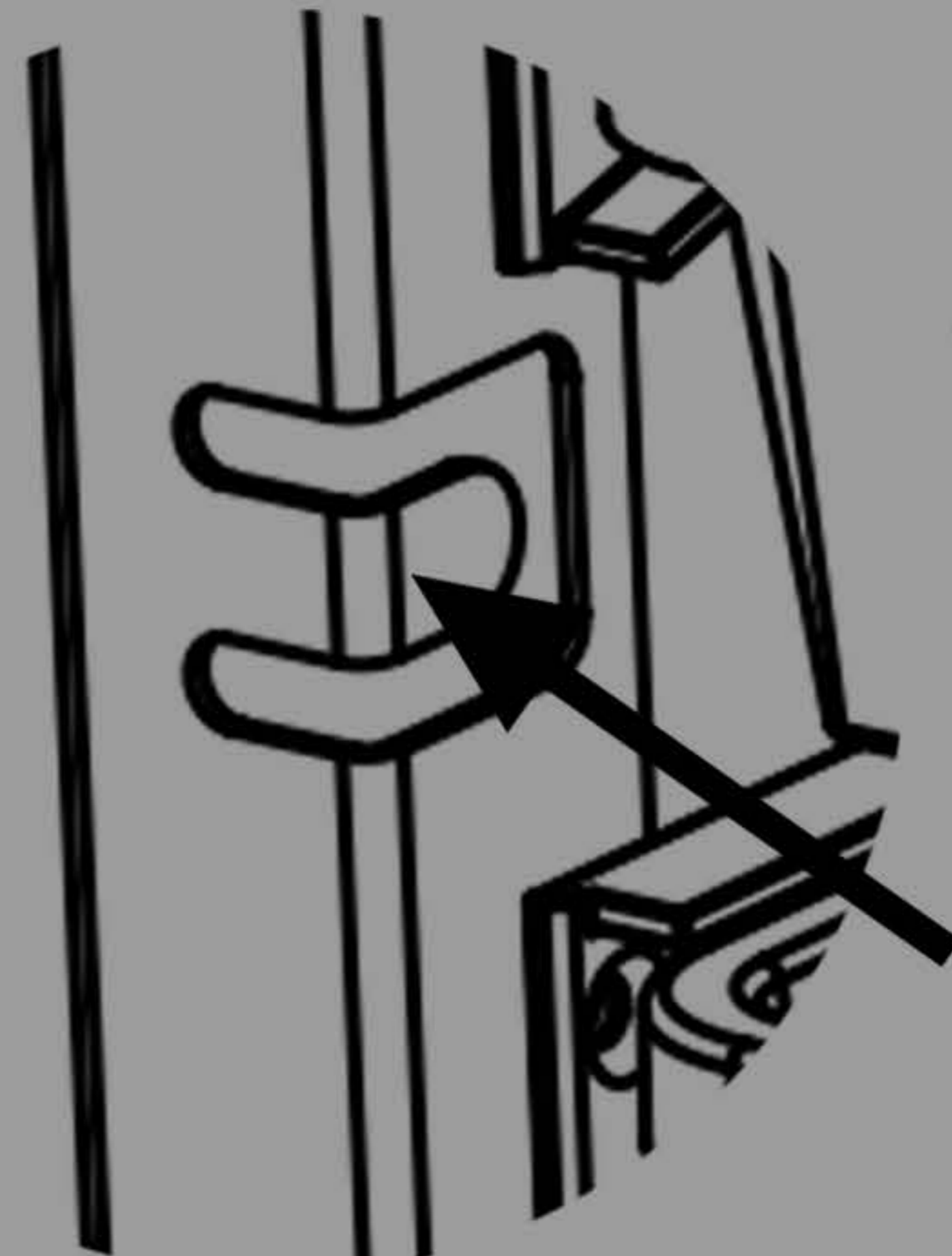
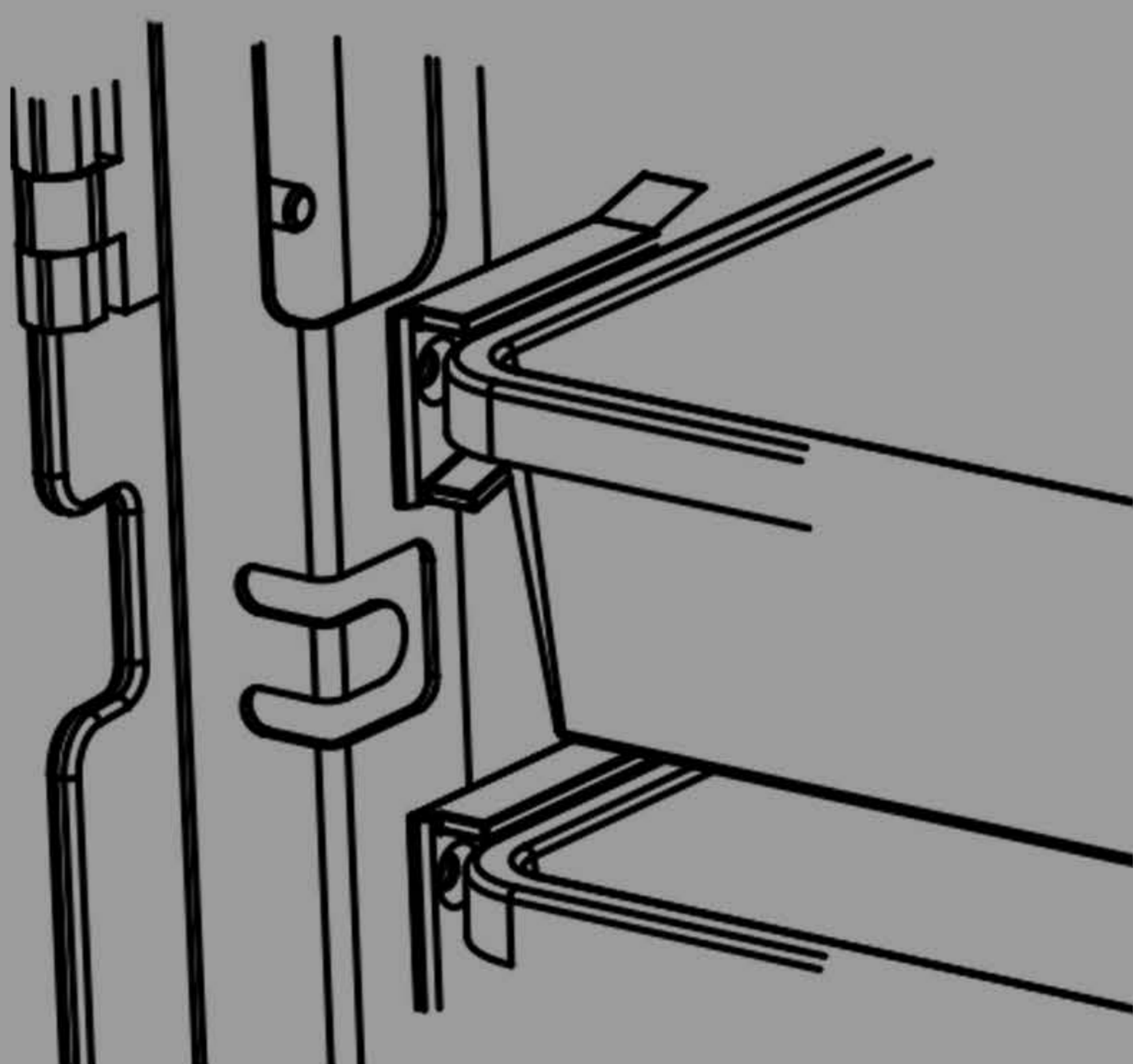
To release the brake push the front lever up on the castor



Lock

To lock the castor press brake lever down with foot

Security Tether



Security Tether Point

Cable can be looped into notch between door and case

