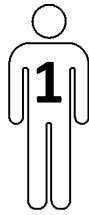
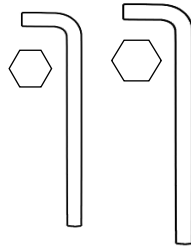
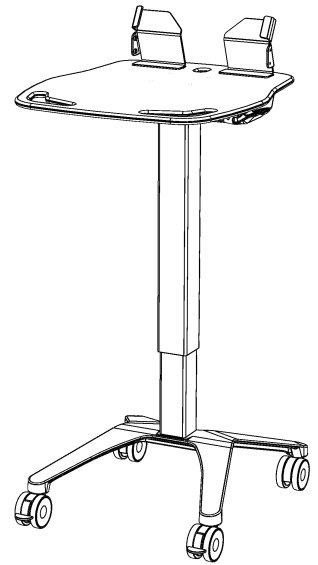


# JUNO Series Laptop Cart - Assembly Instructions

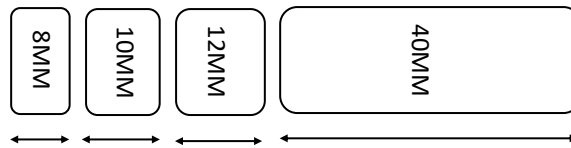
## TOOLS REQUIRED (INCLUDED IN FIXING PACK)



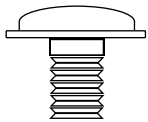
**15 MINUTES**



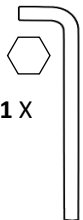
## FIXING PACK CONTENTS



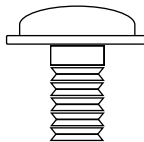
**3 X 8MM**



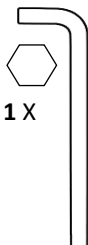
**1 X**



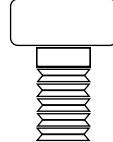
**4 X 12MM**



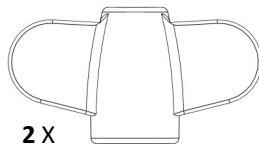
**1 X**



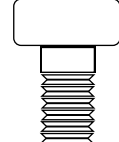
**2 X 12MM**



**2 X**



**4 X 40MM**



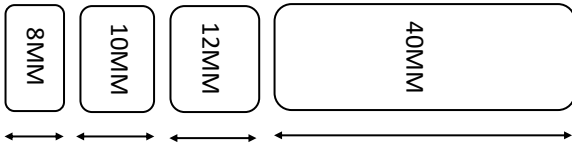
**4 X**



# NEED HELP OR ADVICE?

Call our Support Team on 01444 245123 or email [support@rdphealth.com](mailto:support@rdphealth.com)

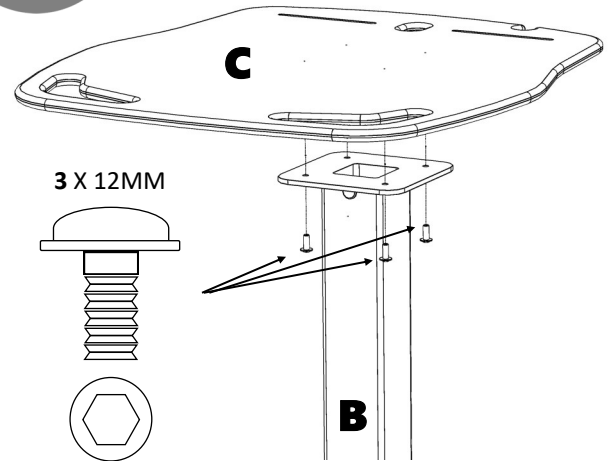
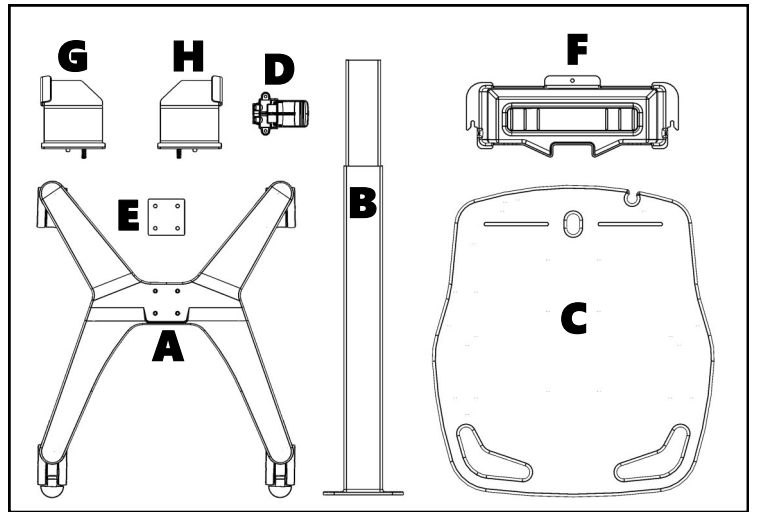
**IMPORTANT: Failure to use the correct fixing in the correct place may result in product damage.**



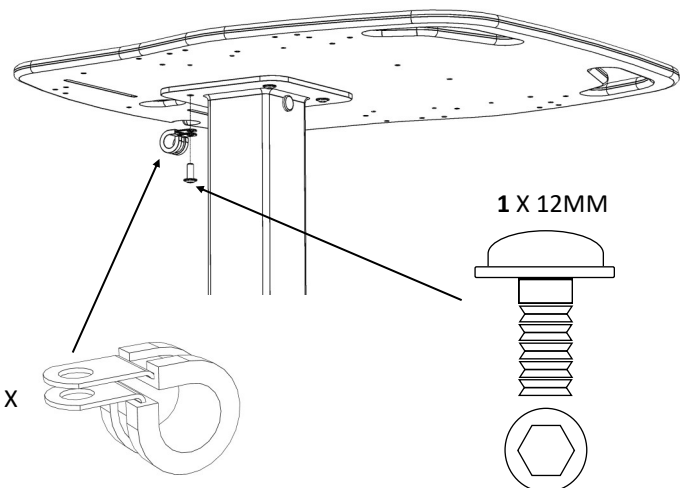
## IMPORTANT

When fitting the central column to the base, make sure the wire for the height adjustment handle is facing forwards. This will ensure that the handle can be fitted on the left or right hand side.

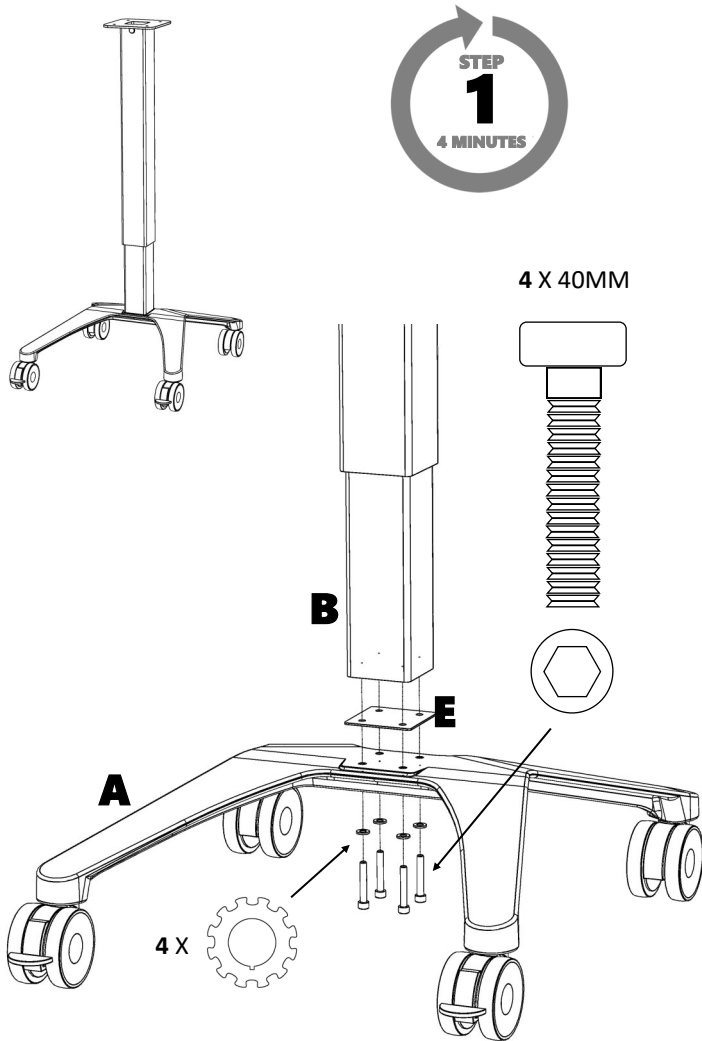
For users that have twin flip-ups, the handle can be mounted in the middle of the work surface. For precise locations, please refer to the hole position guide in this document.



Insert and tighten the 3 x 12MM flange head fixings through the central column (B) into the work surface (C)



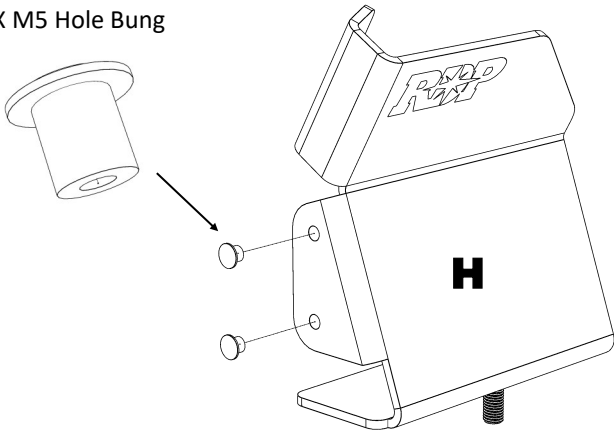
Insert and tighten the 1 x 12MM flange head fixings through P-clip then central column (B) into the work surface (C)



Insert and tighten the 4 x 40MM fixings with shakeproof washers through the bottom of the H-base (A), sandwiching the infill plate (E) between the central column (B)

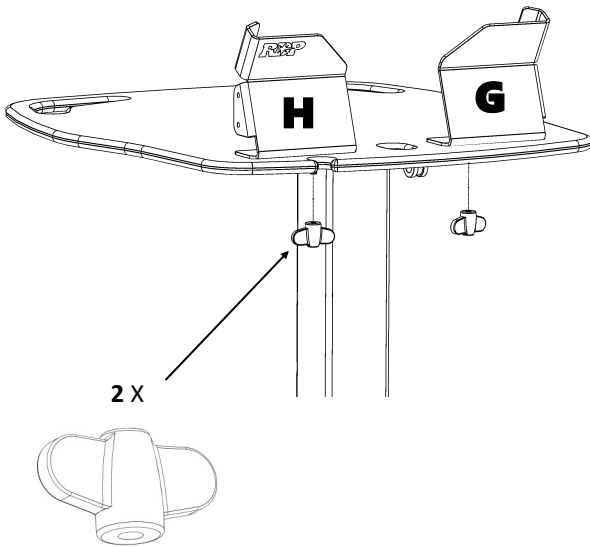
**STEP 3**  
1 MINUTE

2 X M5 Hole Bung



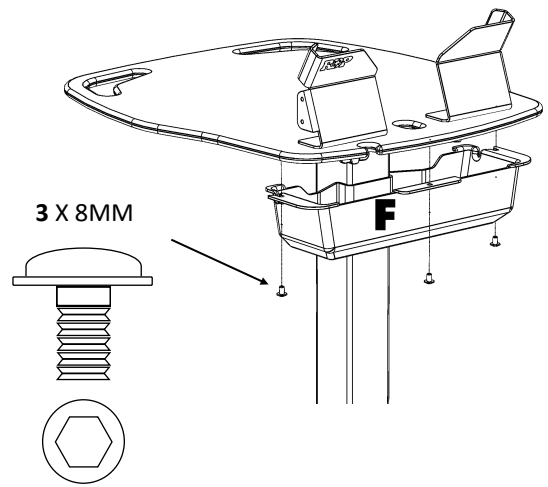
Insert 2x hole bung to both LH & RH retainer (H & G)  
(If using accessory holders miss step)

**STEP 4**  
1 MINUTES



Place both retainers (H+G) into the slots\* and fix using wing nuts provided. If the laptop is to be fitted later, leave loose so the retainers can be easily moved for laptop installation.

**STEP 5**  
3 MINUTES



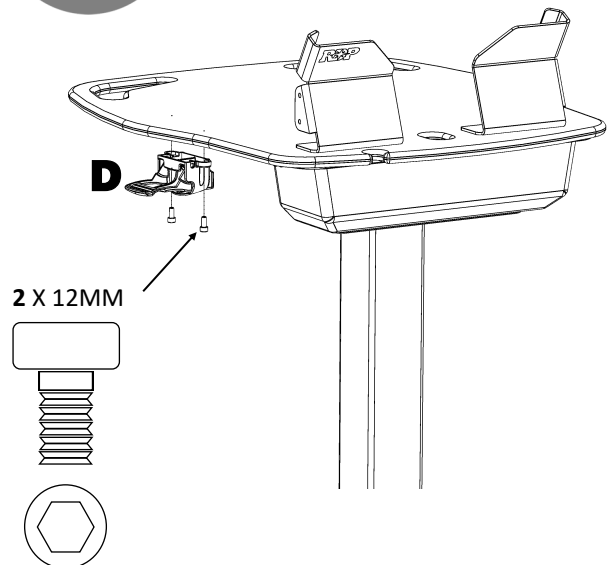
Attach the secure PSU holder (I) using the 4 x 10mm flange head fixings. Once this is in place, access to the retainers can only be gained by removing the PSU holder first.



**SAVE TIME TIP**

*Fit the laptop and PSU at this stage to save having to undo at a later date.*

**STEP 6**  
1 MINUTE



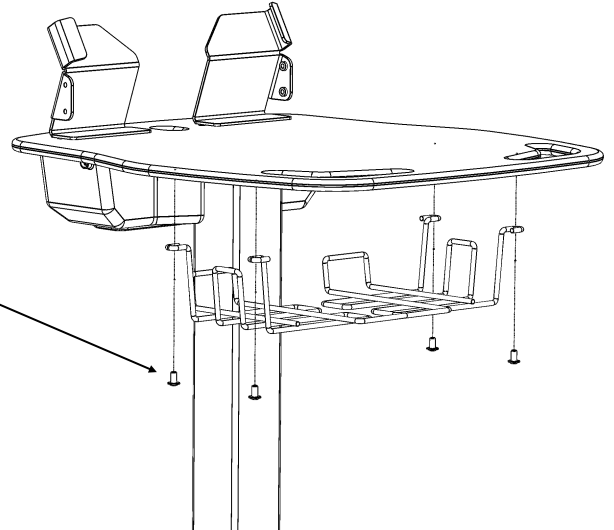
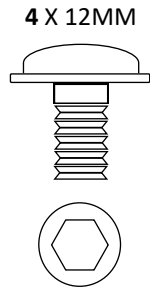
Attach the height adjustment handle (D) using the 2 x 12mm pan head fixings

## FITTING OPTIONS & ACCESSORIES

**IMPORTANT:** Failure to use the correct fixing in the correct place may result in product damage.

### FITTING THE OPTIONAL FRONT UTILITY BASKET

Attach the optional front wire utility basket using the 4 x 12mm fixings.

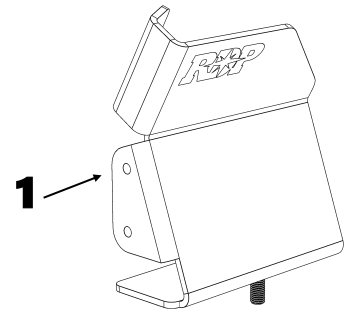


**HOLE POSITION: C**

### FITTING THE OPTIONAL ACCESSORY HOLDERS

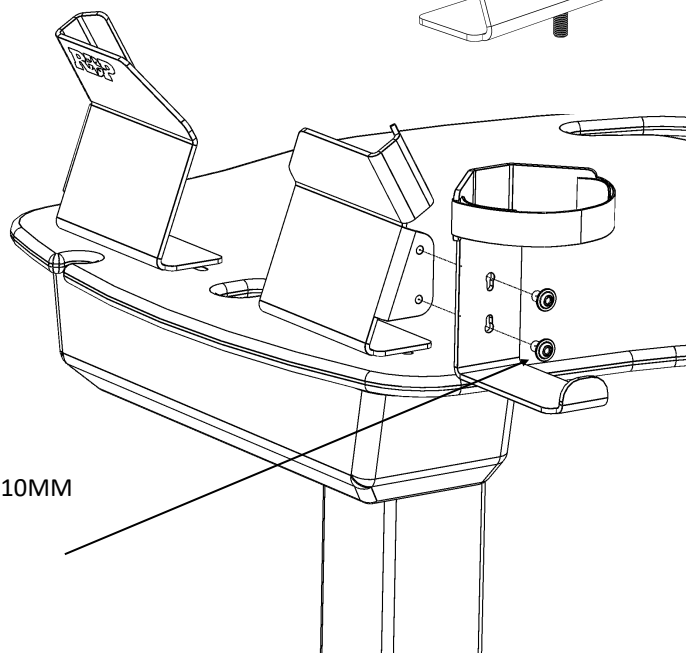
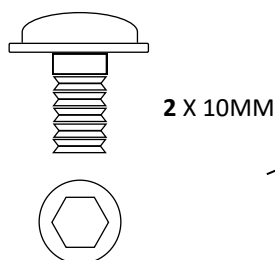
Each laptop retainer has 2 accessory mounting points allowing up to 2 devices to be mounted per cart.

(Example: Gel Bottle Holder)



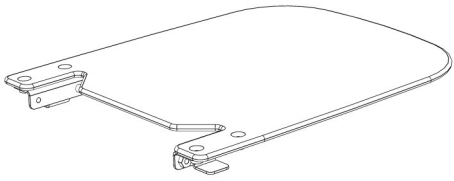
Attach the accessory holders to either the left or right hand retainers using the 2 x 10mm flanged head fixings

All the accessory holders attach in the same way.

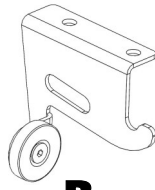


# INSTALLING THE OPTIONAL FLIP-UP WORK SURFACE

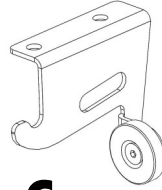
**IMPORTANT:** Failure to use the correct fixing in the correct place may result in product damage.



**A x1**



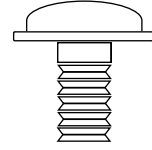
**B x1**



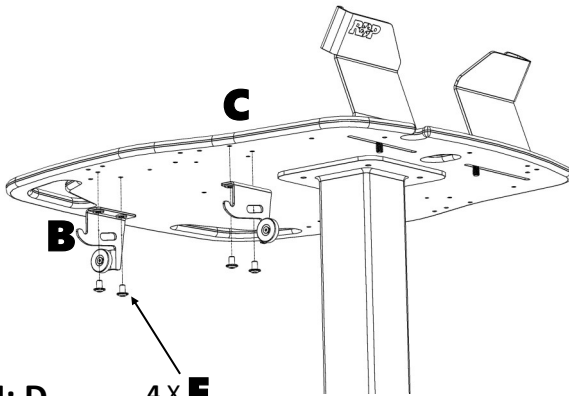
**C x1**



**D x4**



**E x4**

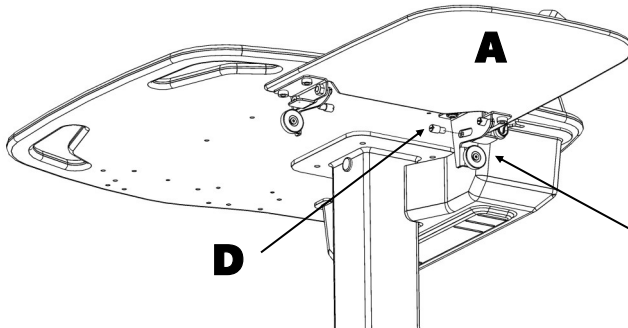
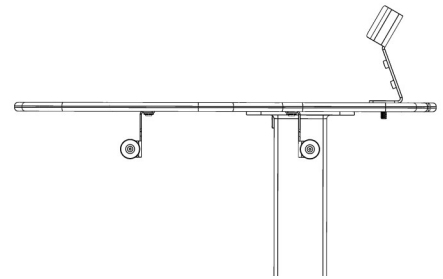


The flip-up work surface can be fitted to either the left or right hand side and the method of fitting is the same for both sides. For the hole guide, please refer to the drawing at the back of this booklet.

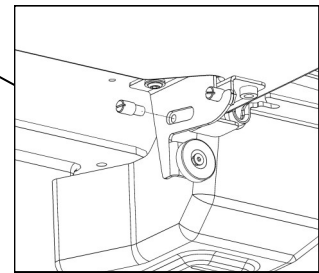
Attach the left hand bracket (B) using the 2 fixings (E). Attach the right hand bracket (C) using the 2 fixings and washers (E+F). Once the brackets are fitted, the magnets should both face inwards as shown below.

HOLE POSITION: D

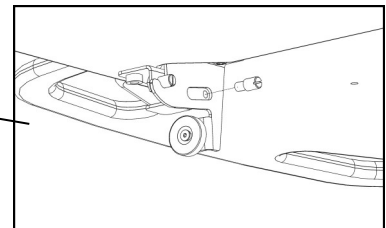
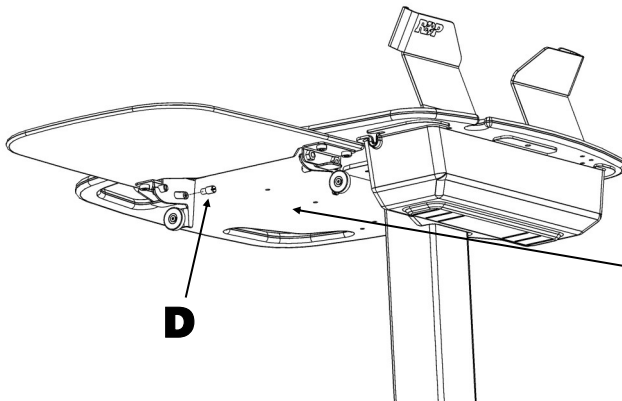
4 X E



Position the flip-up work surface (A) so the positioning screw sits on the ledge and then screw in tight the shoulder fixing (D) as shown.



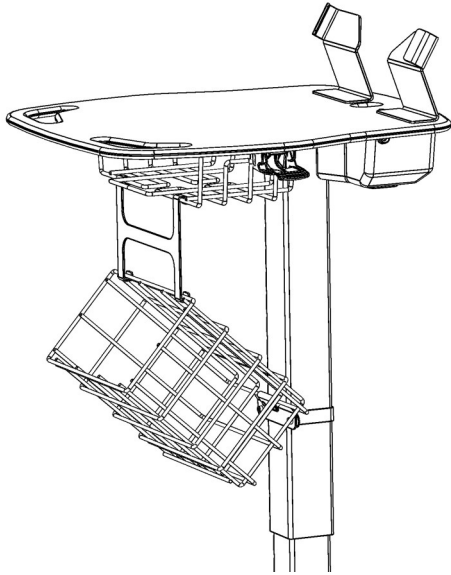
Repeat the above for the right hand bracket.



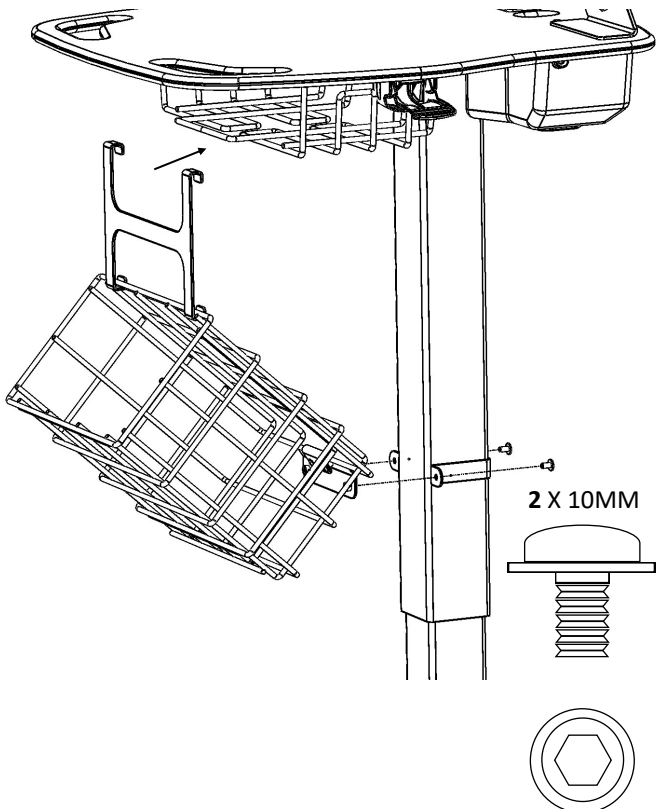
# FITTING THE A4 WIRE FOLDER HOLDER

**IMPORTANT:** Failure to use the correct fixing in the correct place may result in product damage.

## WITH A FRONT UTILITY BASKET

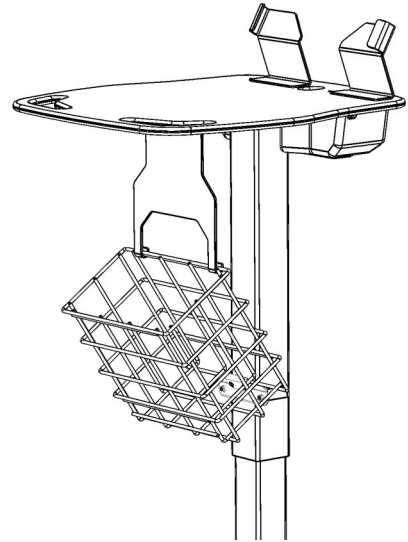


Hook fitting bracket to the front edge of the utility basket

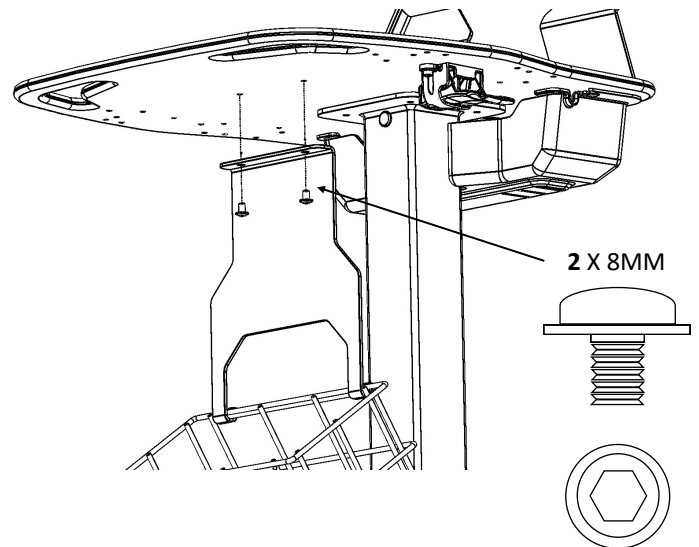


2 X 10MM

## WITHOUT A FRONT UTILITY BASKET

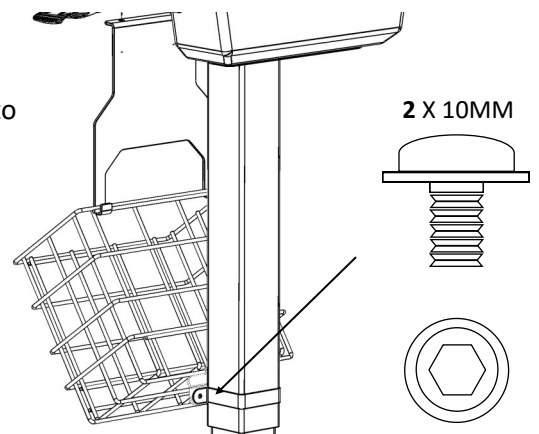


### HOLE POSITION: F



2 X 8MM

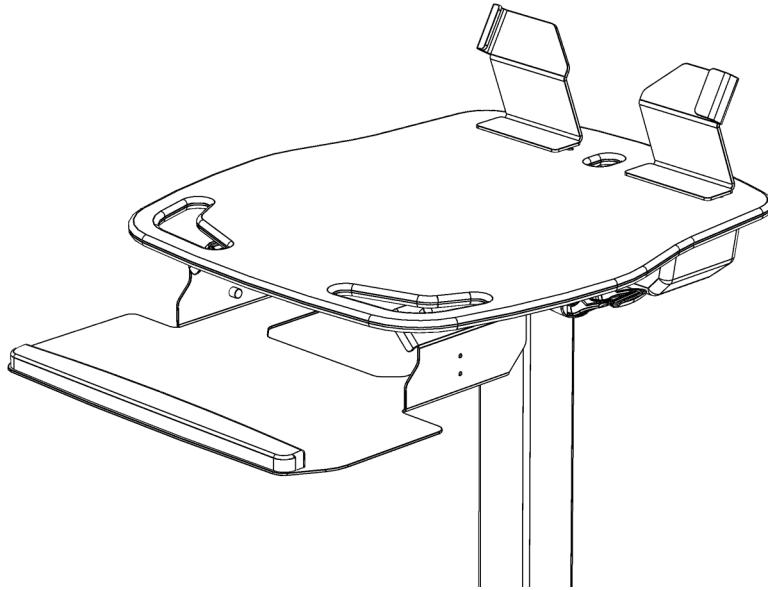
Hook basket to the fixing bracket



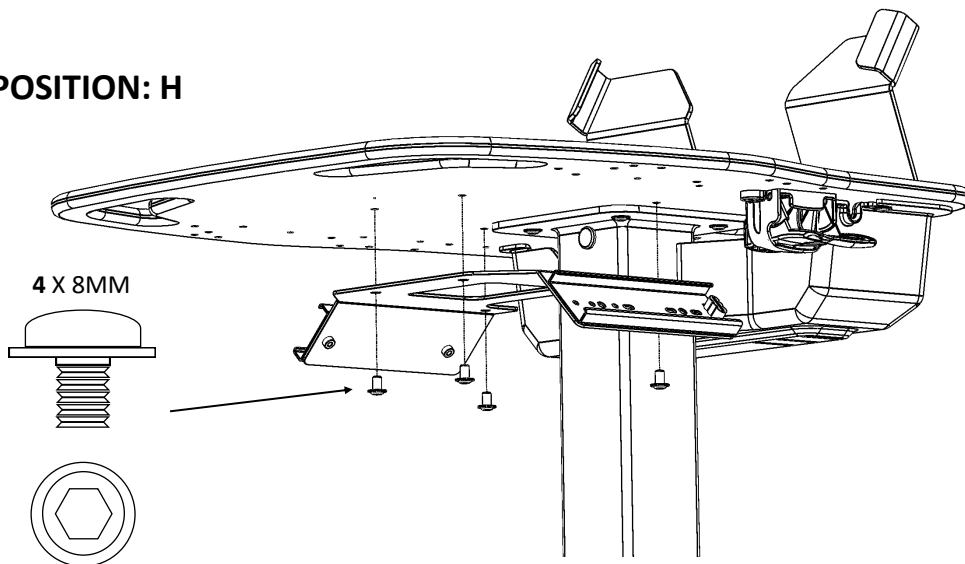
2 X 10MM

## FITTING THE PULL-OUT KEYBOARD TRAY

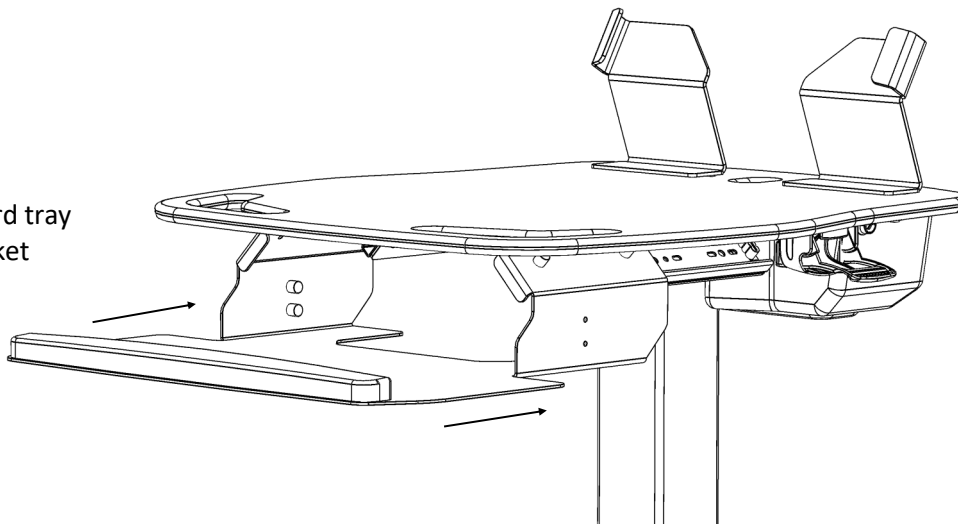
**IMPORTANT:** Failure to use the correct fixing in the correct place may result in product damage.



### HOLE POSITION: H



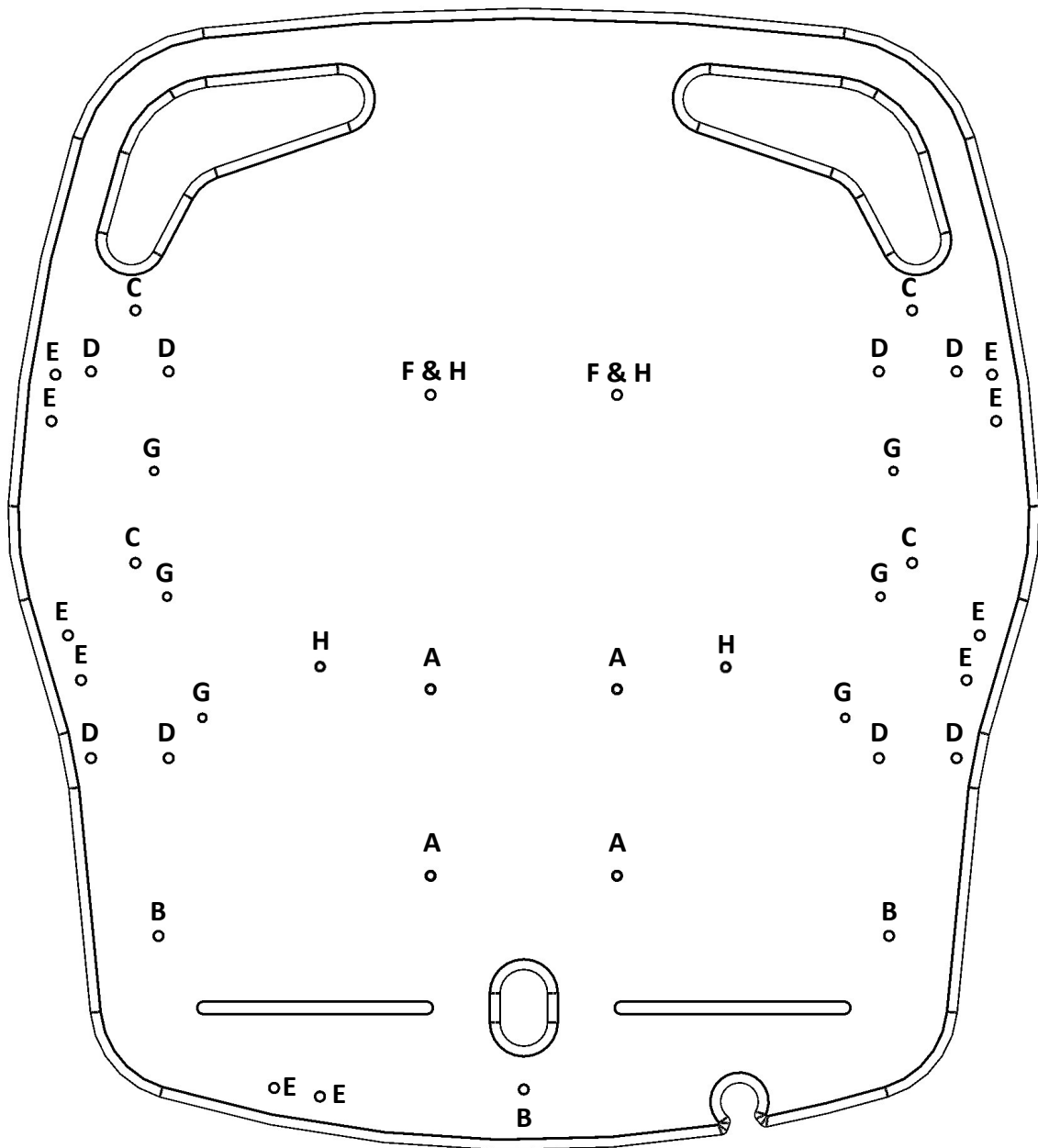
Connect keyboard tray  
to worktop bracket



# HOLE POSITION GUIDE

*Need help or advice? Call our Support Team on 01444 245123 or email [support@rdphealth.com](mailto:support@rdphealth.com)*

A	Central Column	E	PH bracket
B	Rear secure PSU holder	F	Notes basket bracket
C	Front utility basket/A4 folder bracket	G	Handle (left/right or centre)
D	Flip-up work surface (left/right or both)	H	Pull-out Keyboard



CD100048 | UNO Assembly Instructions | Issue 2 | 26.04.2023

