

HUBB Wall Mount Solution - Assembly Instructions

FIXING PACK CONTENTS

2x M6 Nut

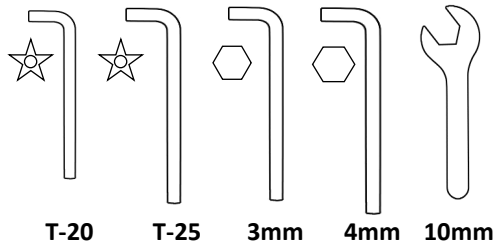
2x M6 washer

2x M6 nut cap

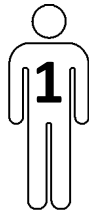
2x M5 x 8mm CSK Screw

1x P-Clip

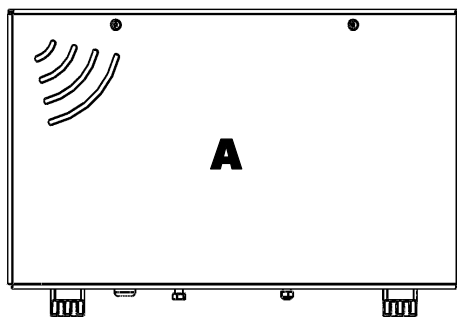
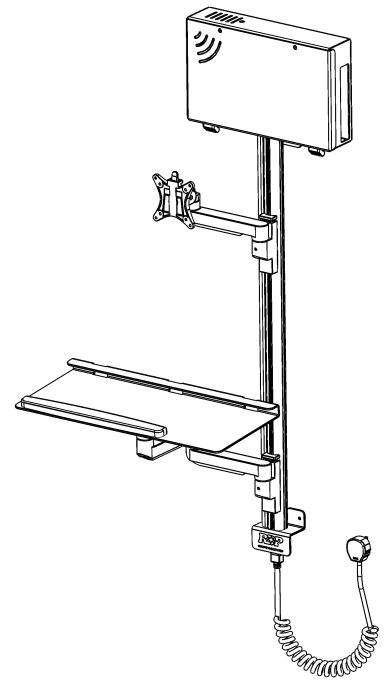
TOOLS REQUIRED (INCLUDED IN FIXING PACK)



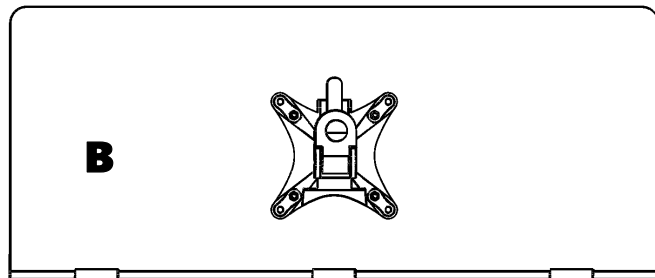
T-20 T-25 3mm 4mm 10mm



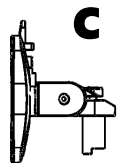
20 MINUTES



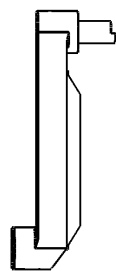
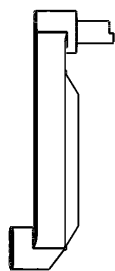
A



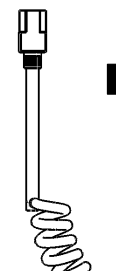
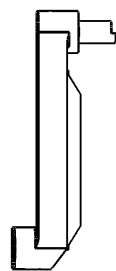
B



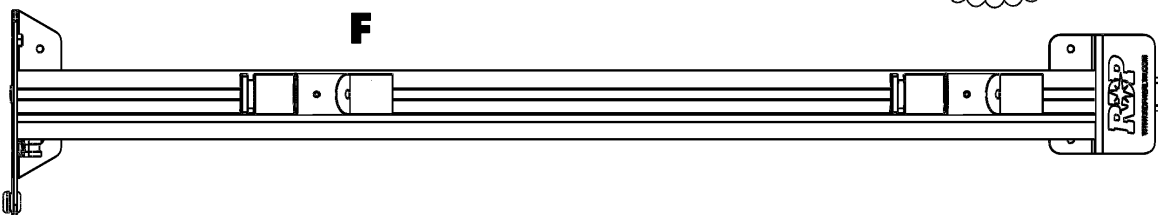
C



D



E



F

NEED HELP OR ADVICE?

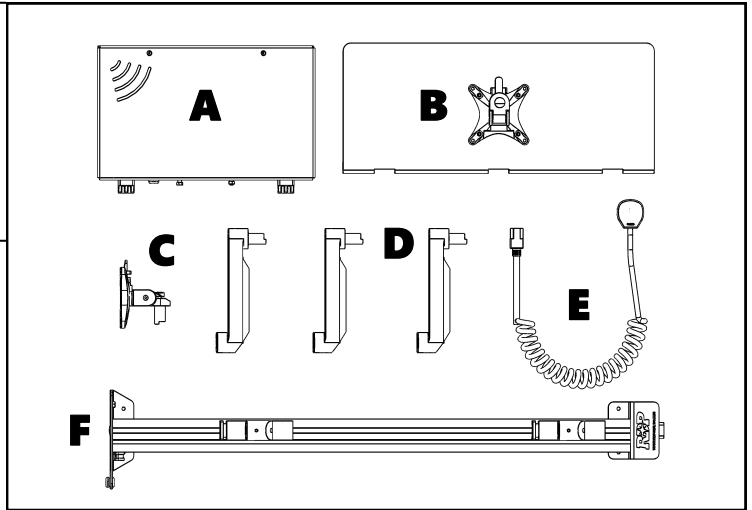
Call our Support Team on 01444 245123 or email support@rdphealth.com

IMPORTANT: Failure to use the correct fixings in the correct place may result in product damage.

IMPORTANT - Choosing the correct position

The measurements given here are only a guide and it is the installer/end users responsibility to position the unit correctly.

MARKING FIXING HOLES

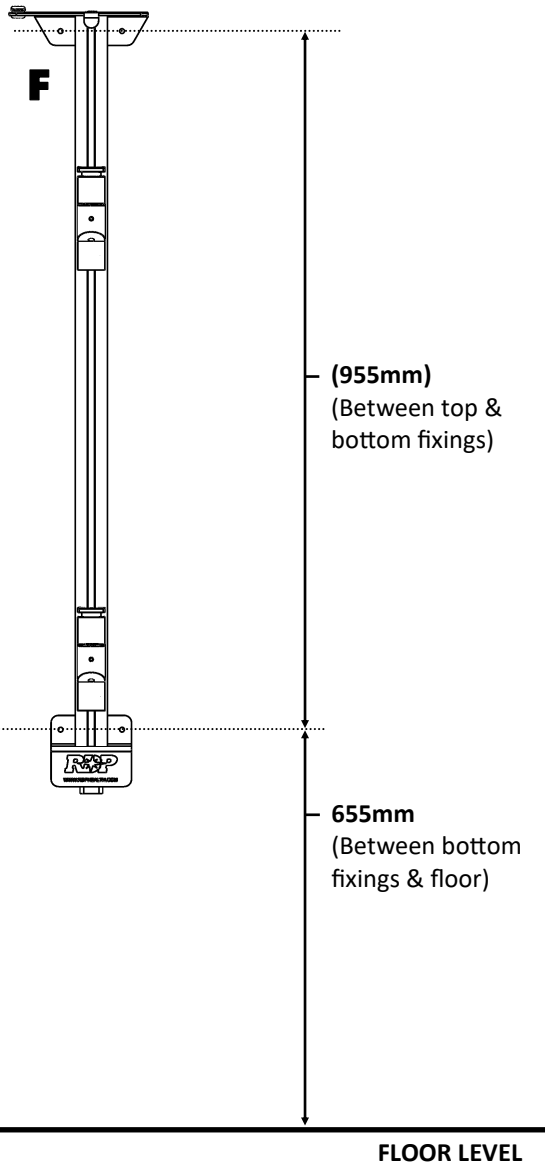
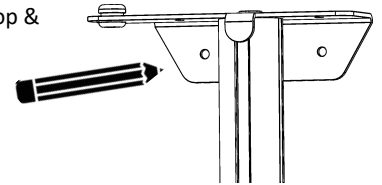


STANDING FIXING POSITION

STANDING: FOR APPLICATIONS WHERE THE END USER WILL BE STANDING.

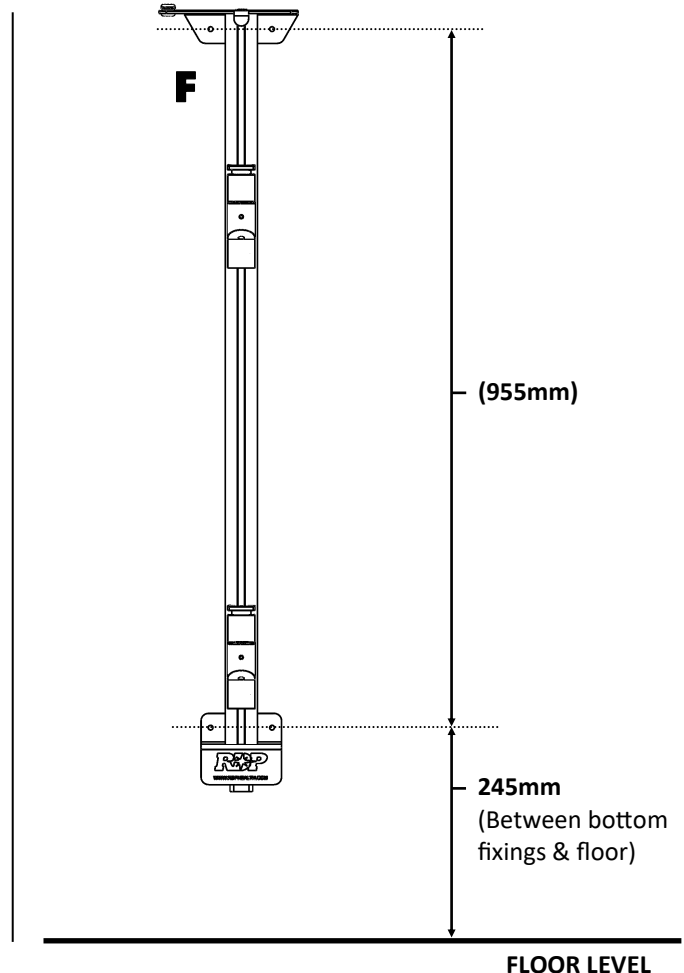
MARKING UP: Mark position for top & bottom bracket - 4x Positions

Use a level to ensure unit is straight when fitting



SITTING FIXING POSITION

SITTING: FOR APPLICATIONS WHERE THE END USER WILL BE SITTING.

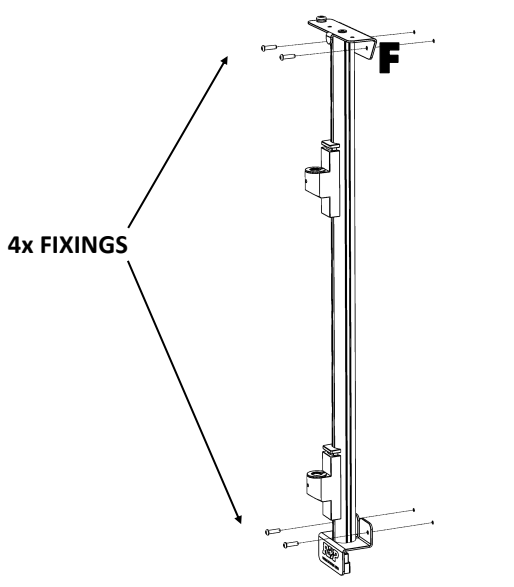




ATTACHING HUBB

Once wall plugs are inserted into all 4 holes, screw in unit.

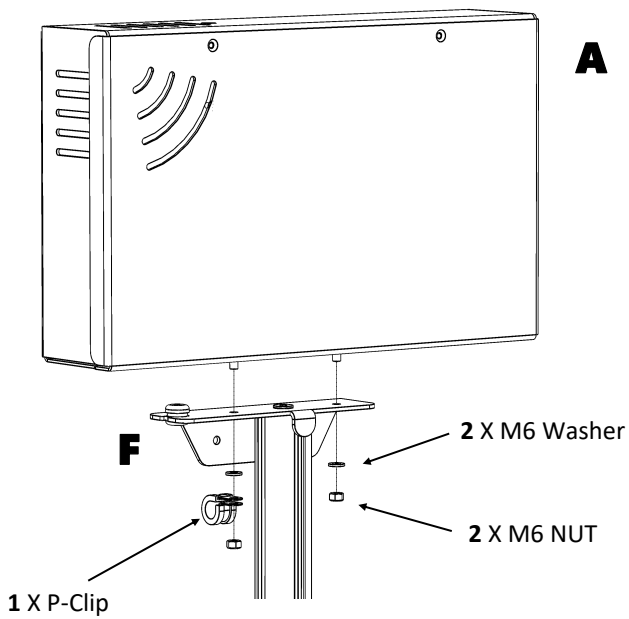
IMPORTANT - ENSURE SUITABLE FIXINGS ARE USED FOR WALL TYPE



CONNECTING PC CASE

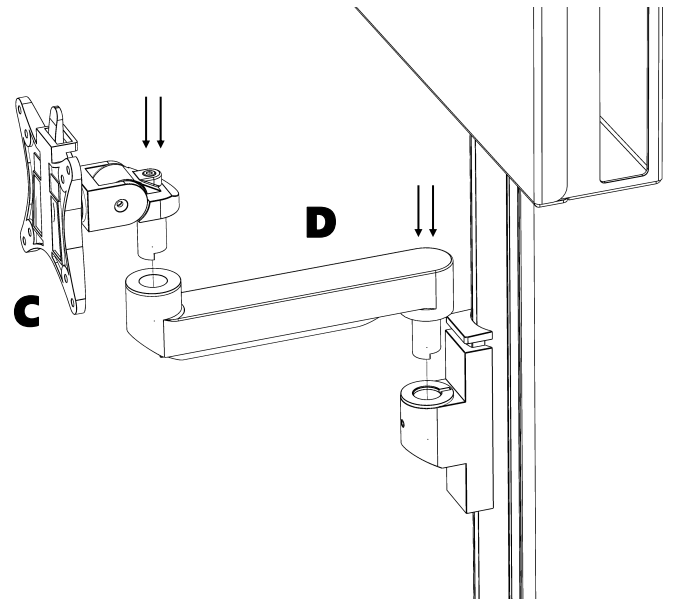
Fit PC case (A) to top of unit (F) & secure with 2x M6 washers, nuts & nut caps provided.

(Secure power cable with P-Clip)

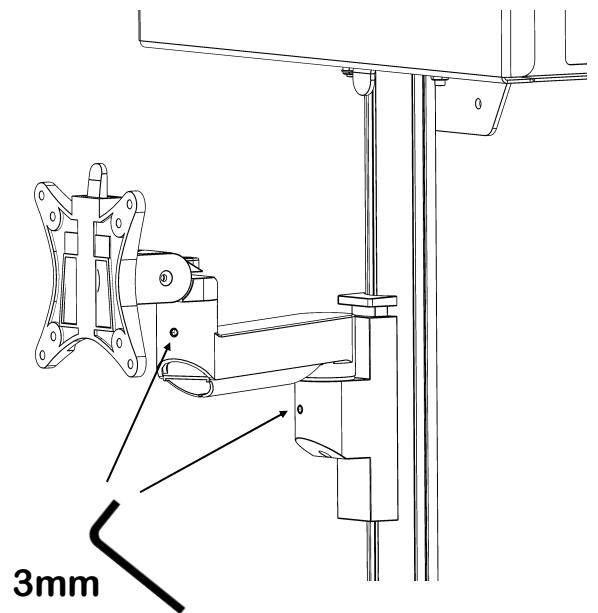


CONNECTING VESA HEAD & ARM

Push vesa head (C) into Arm (D) then arm into top connector



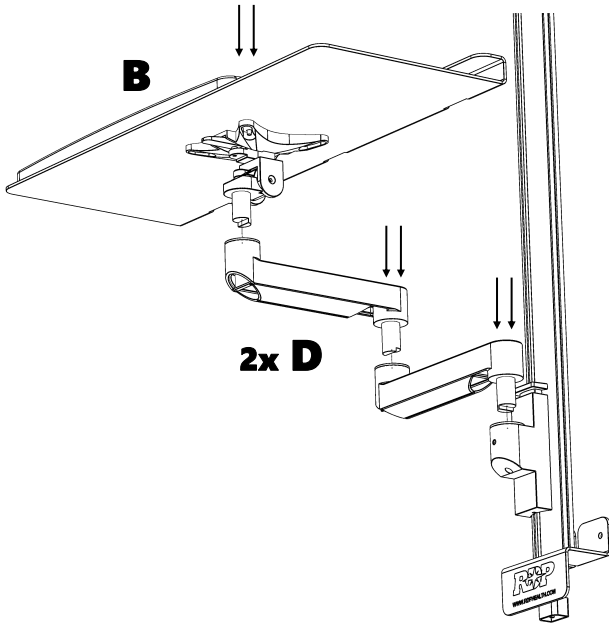
Secure connectors by tightening M4 screws with 3mm hex key provided - DO NOT OVERTIGHTEN



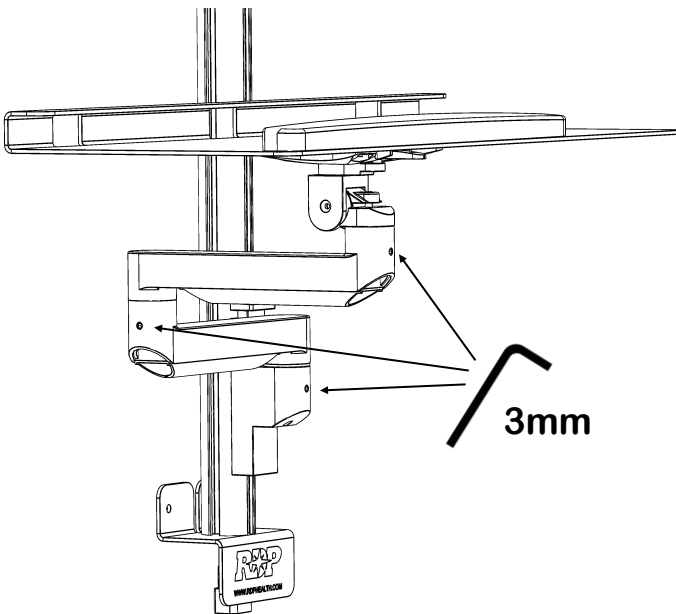


CONNECTING KEYBOARD TRAY & ARMS

Push keyboard tray (B), into 2x arms (D) then
arm into bottom connector

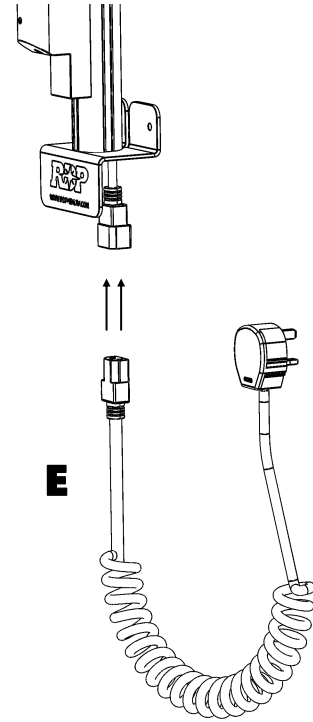


Secure connectors by tightening M4 screws with 3mm
hex key provided - DO NOT OVERTIGHTEN



POWER LEAD

Connect power lead into IEC connector at the
base of the unit & plug into wall socket when
unit is ready for power



COMPLETE PC FIT

Once HUBB assembly is complete, see O&M
Manual for 'PC FIT OPERATIONS'

