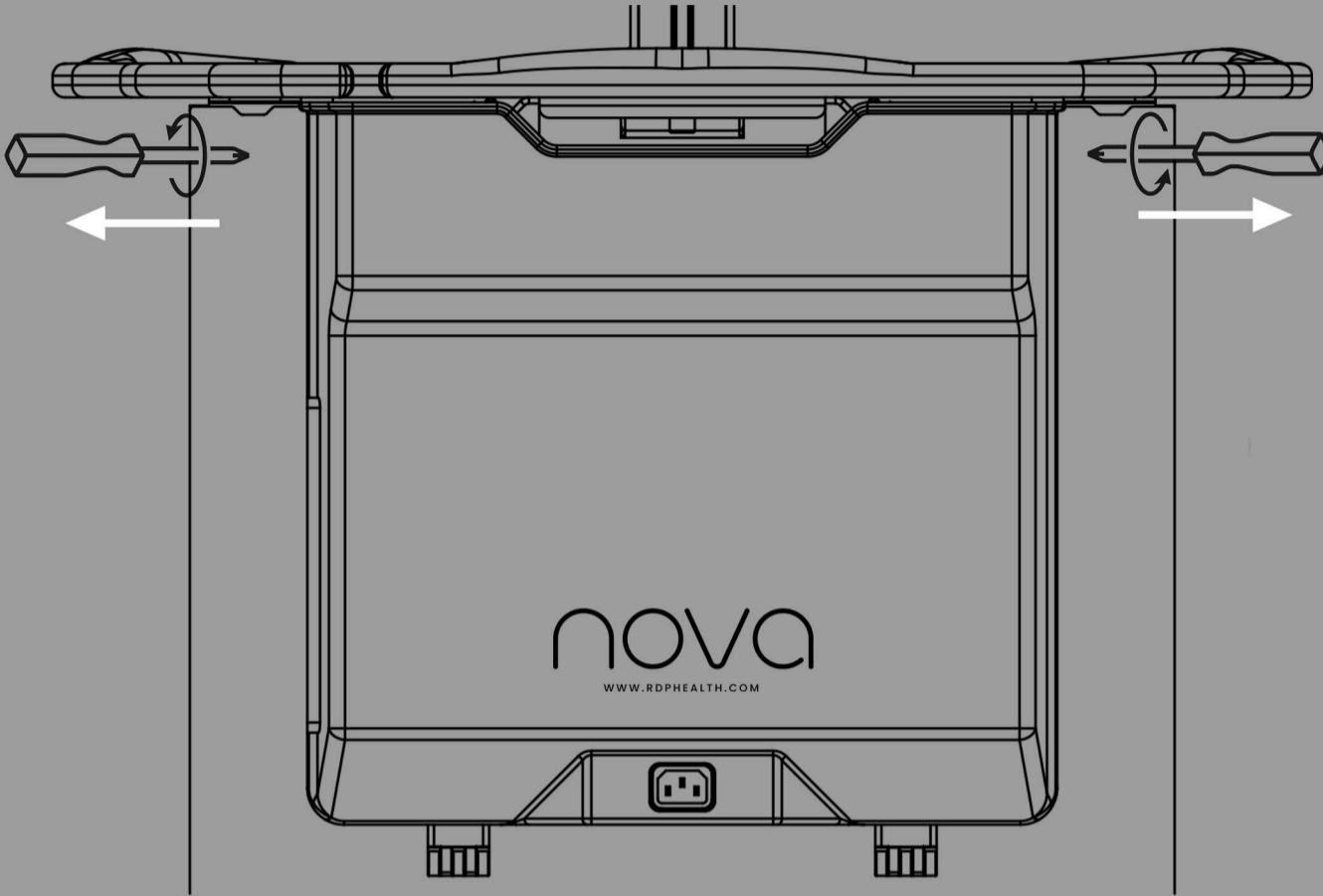


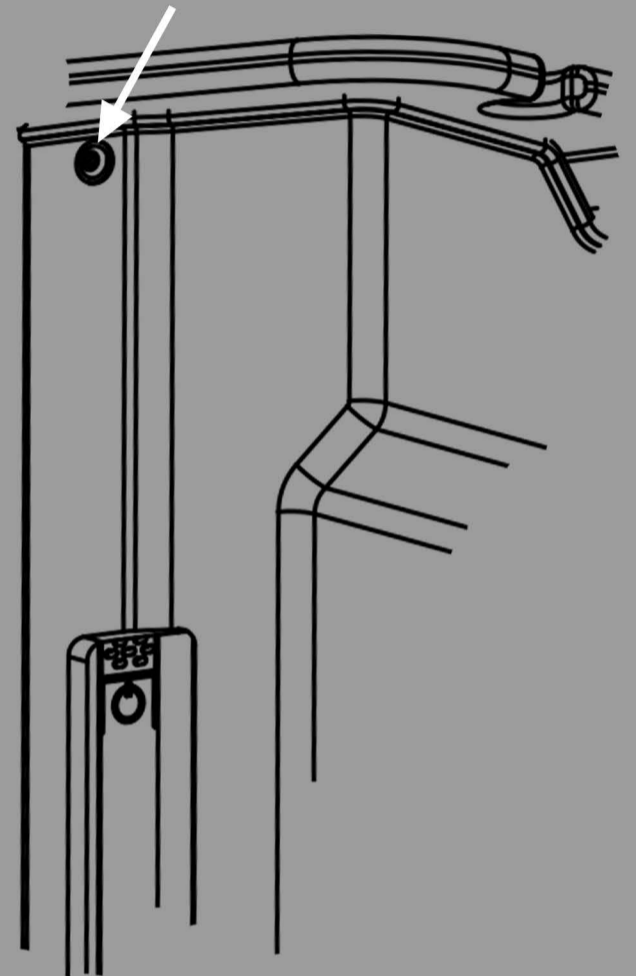
Opening PC Case

To Access PC Case, remove 2x security screws at either side of case.

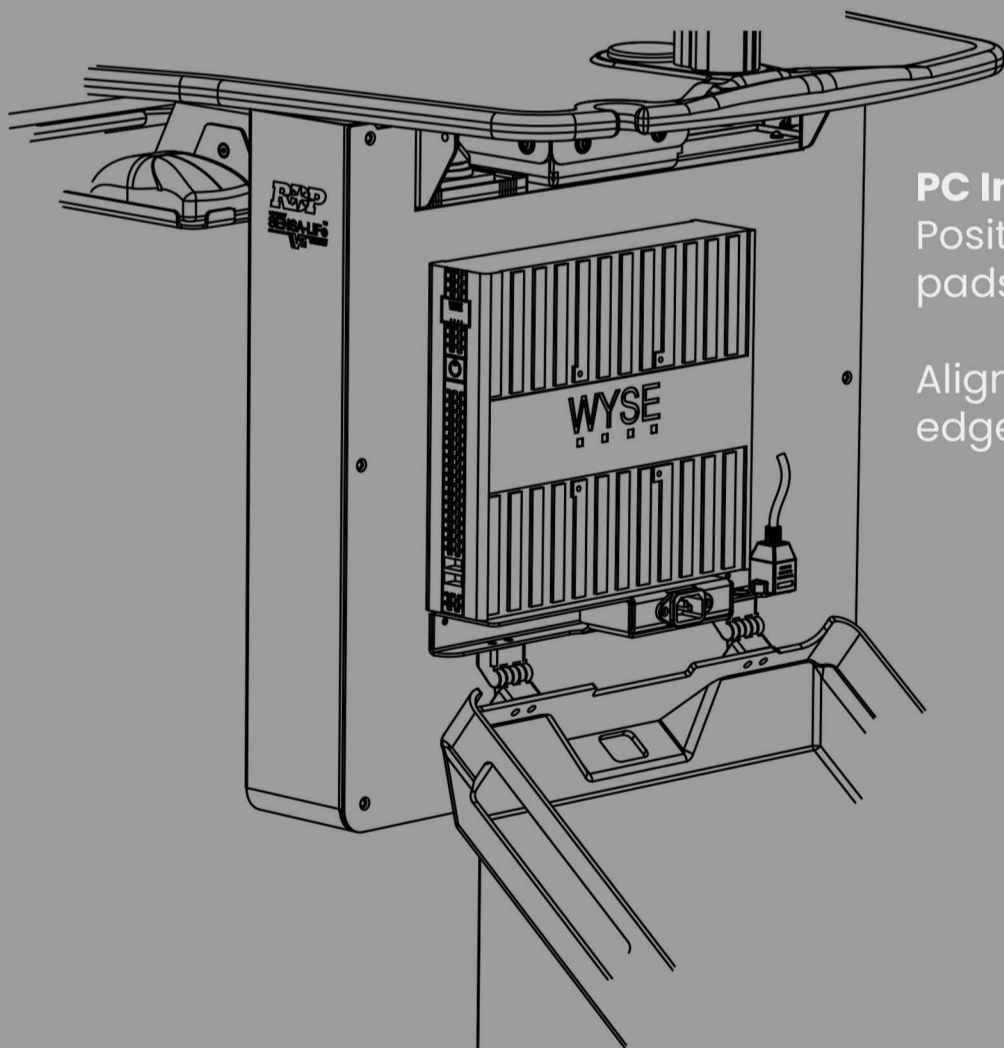


WARNING

Only remove PC Case screws as shown:



Installing PC



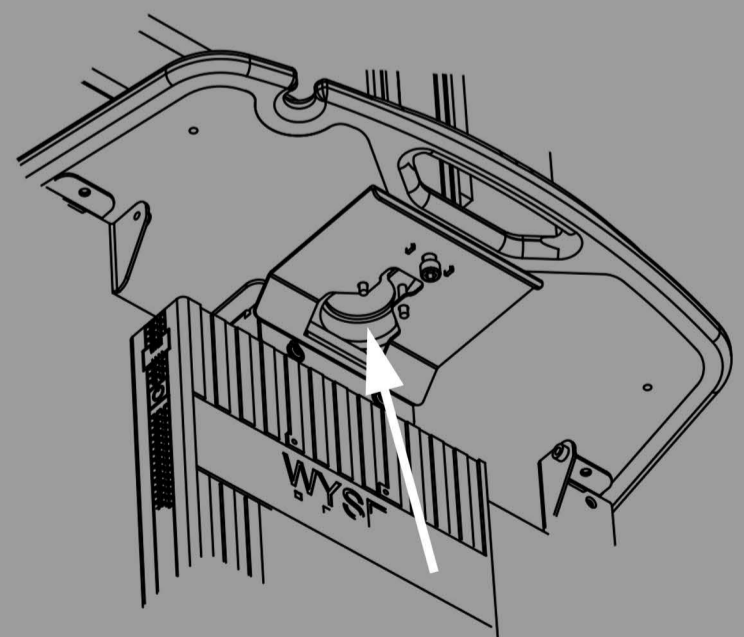
PC Installation

Position PC with velcro pads (Supplied)

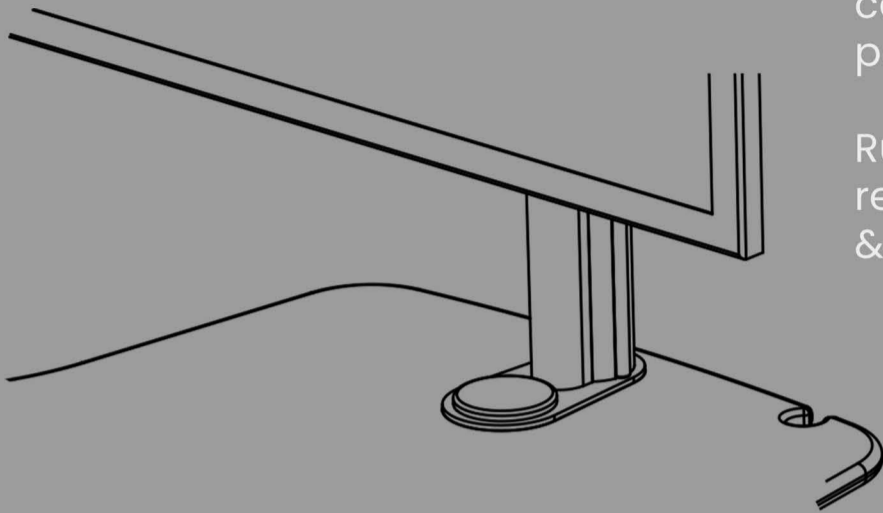
Align PC with bracket edge

Monitor Cables

Can be passed through hole provided in worktop after removing grommet



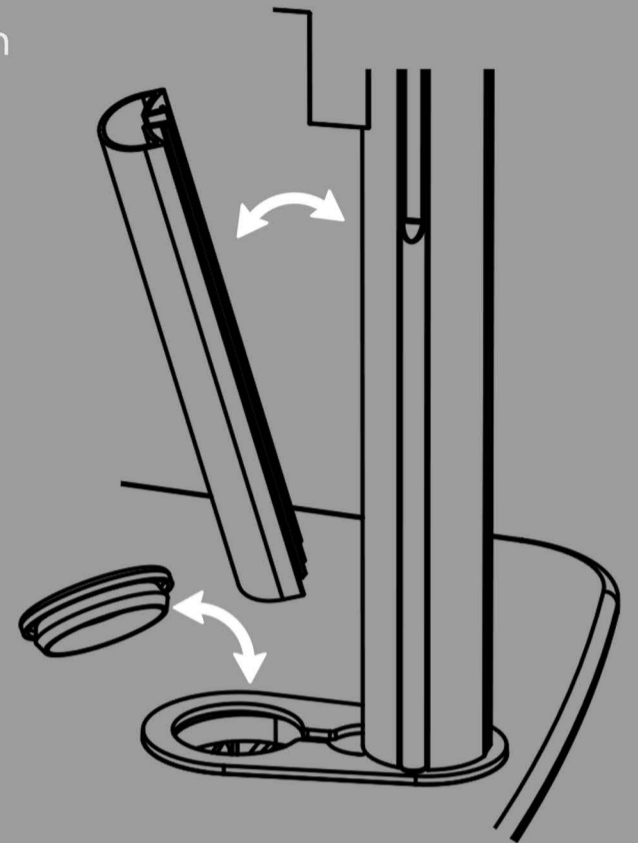
Cable Management



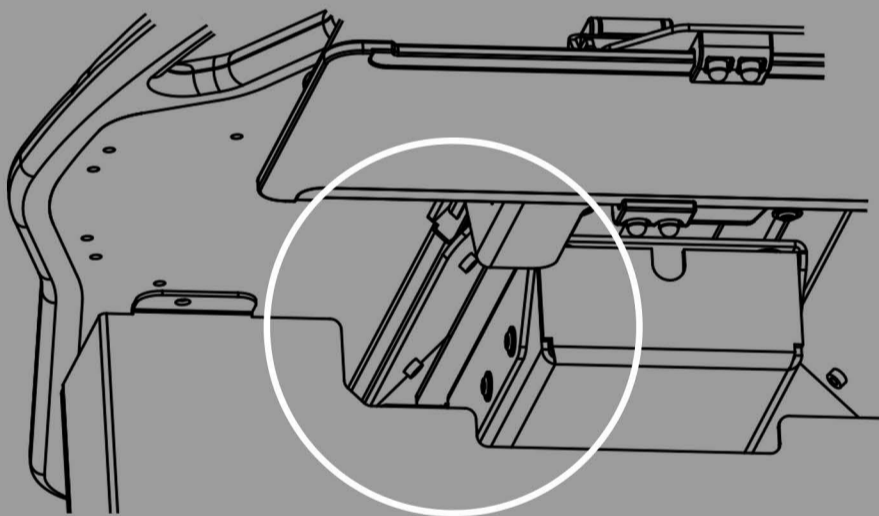
Monitor Cables Continued

Remove grommet & cable chase on screen post.

Run cables and replace grommet & cable chase



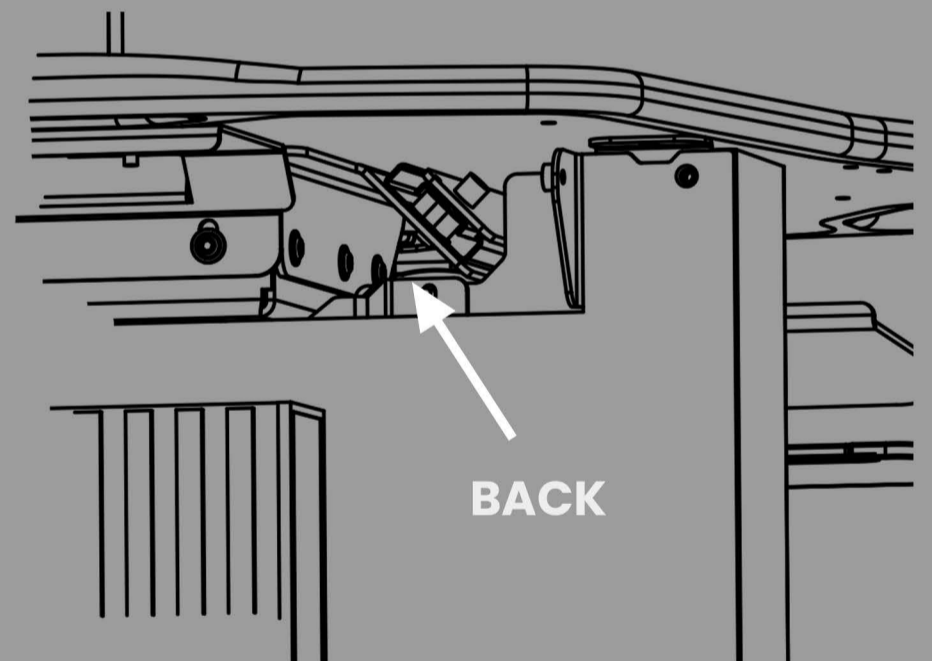
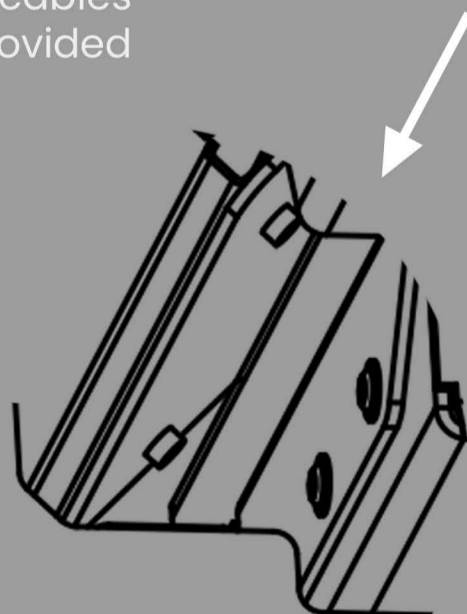
Pull Out Keyboard Cable Management



Keyboard Cables

Keyboard and mouse cables feed through channel provided

FRONT



BACK