

HUBB Wall Mount Solution - Assembly Instructions

FIXING PACK CONTENTS

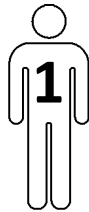
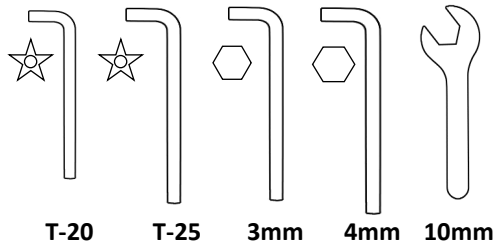
2x M6 Nut

2x M6 washer

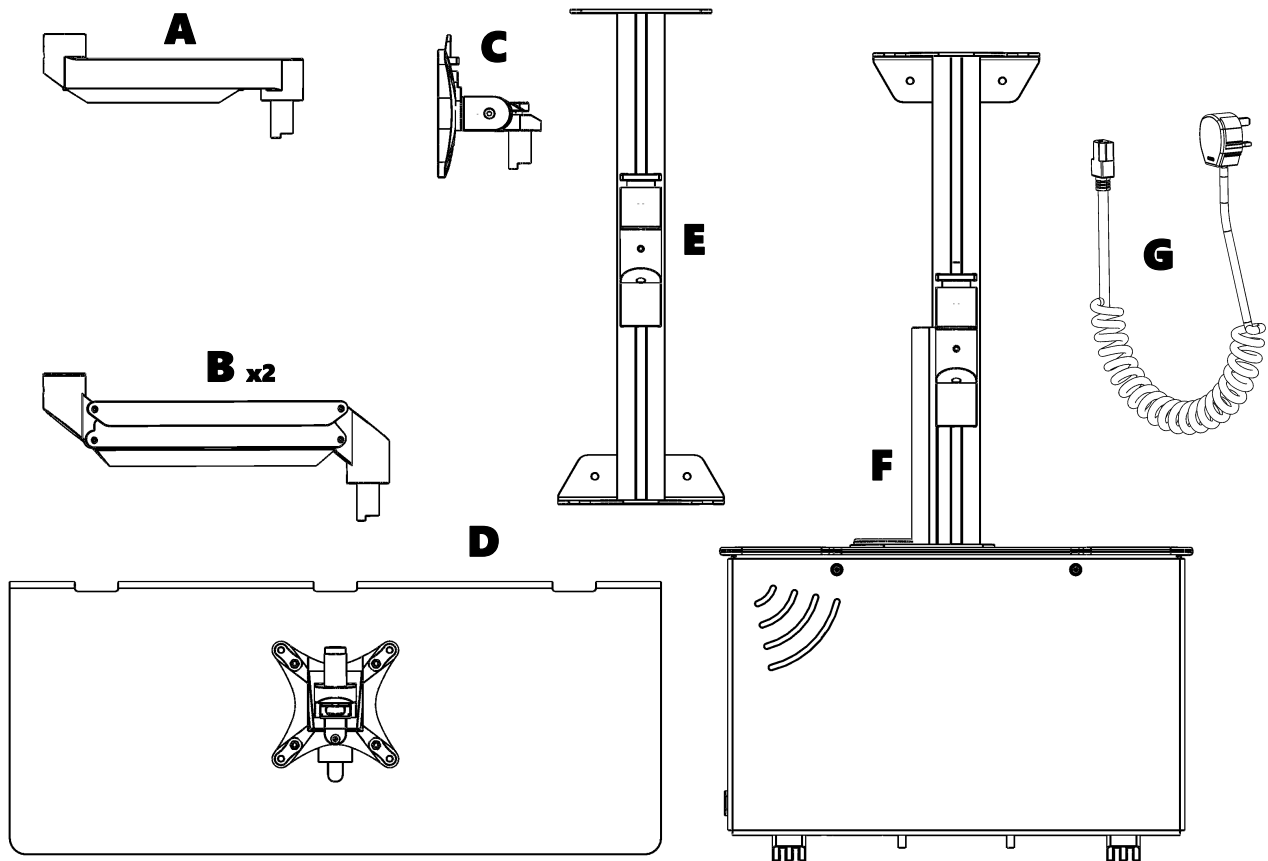
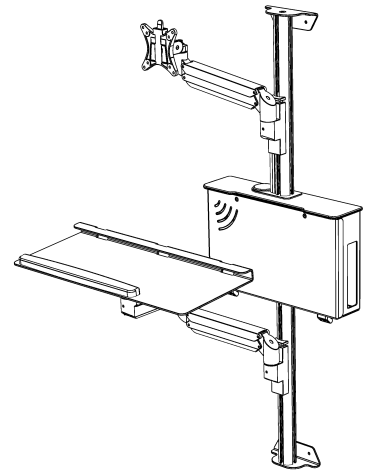
2x M6 nut cap

2x M5 x 8mm CSK Screw

TOOLS REQUIRED (INCLUDED IN FIXING PACK)



20 MINUTES



NEED HELP OR ADVICE?

Call our Support Team on 01444 245123 or email support@rdphealth.com

IMPORTANT: Failure to use the correct fixings in the correct place may result in product damage.

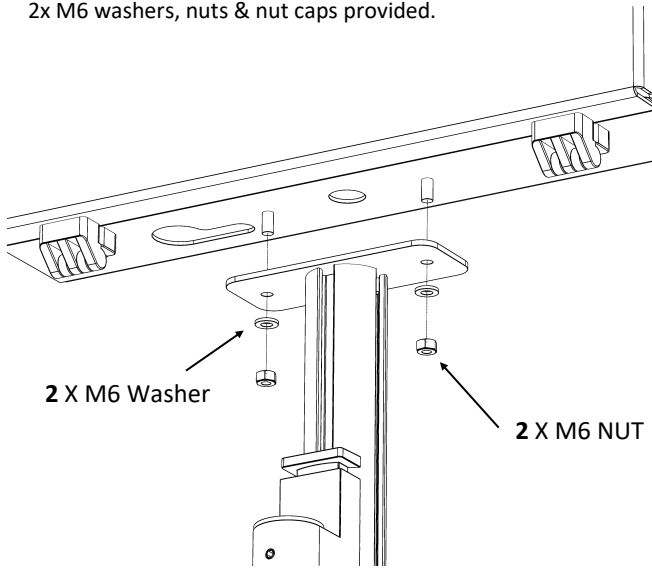
IMPORTANT - Choosing the correct position

The measurements given here are only a guide and it is the installer/end users responsibility to position the unit correctly.

CONNECTING BASE POST TO PC CASE



Fit bottom post (E) to PC case (F) & secure with 2x M6 washers, nuts & nut caps provided.



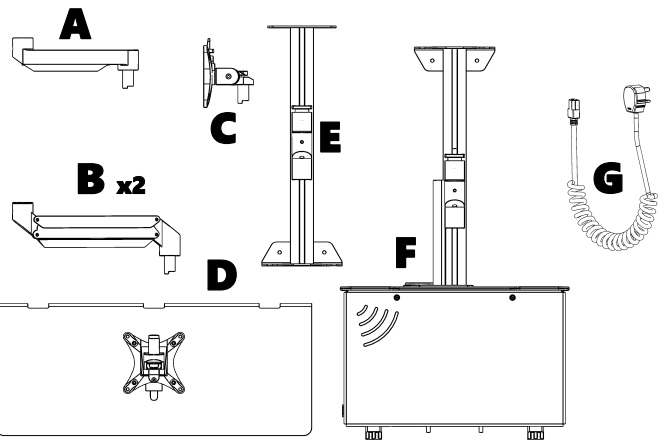
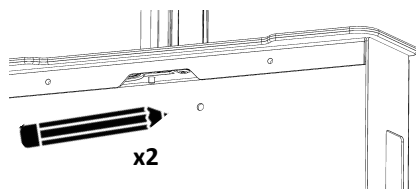
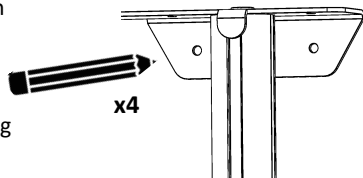
MARKING FIXING HOLES



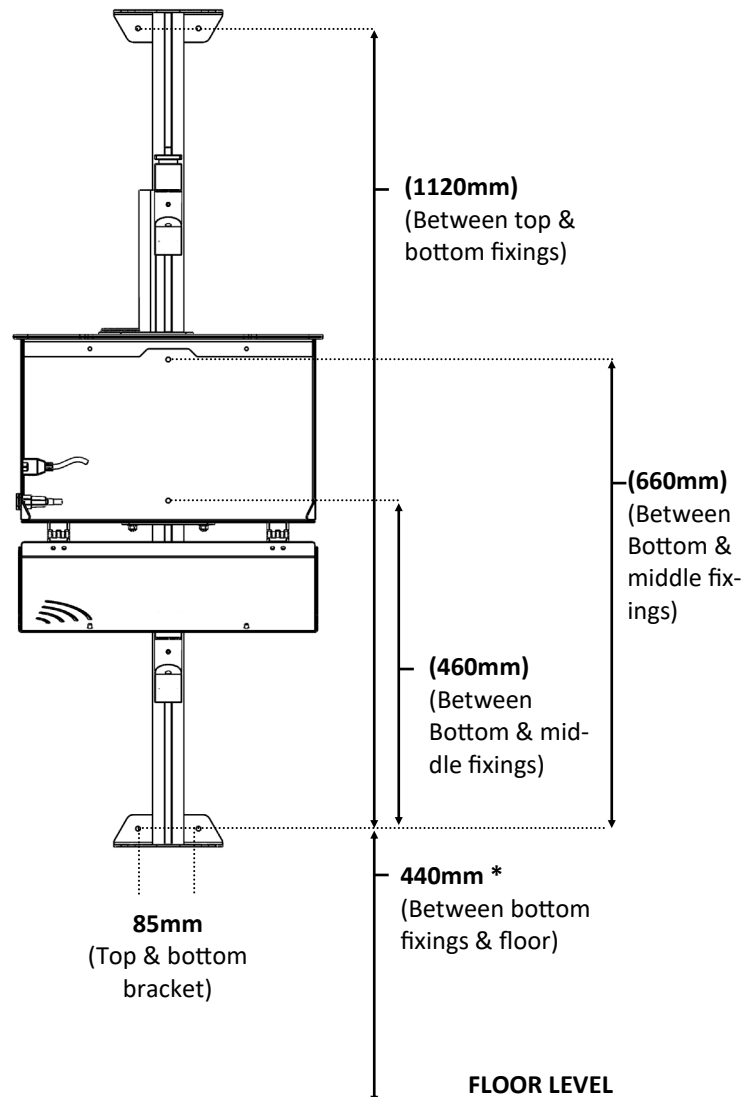
MARKING UP: Mark position for top & bottom bracket - 4x Positions

Mark position for PC Case fixing - 2x Position

Use a level to ensure unit is straight when fitting



FIXING POSITION



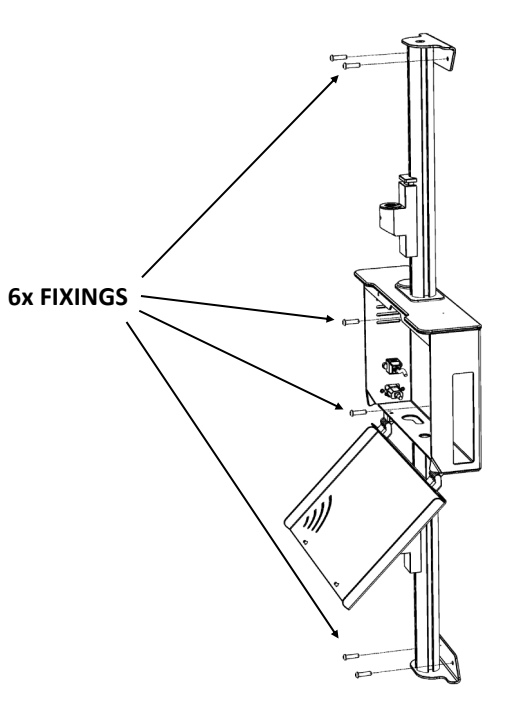
* See 'Features & Dimensions' document for range of movement



ATTACHING HUBB

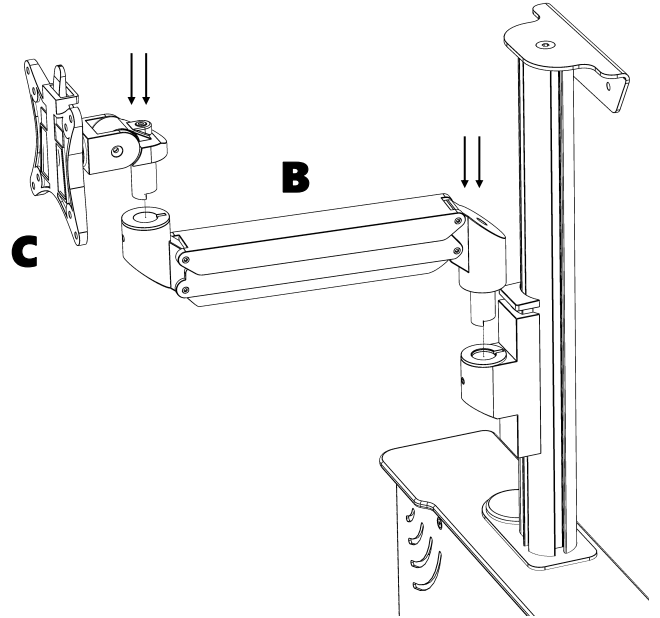
Once wall plugs are inserted into all 6 holes, screw in unit.

IMPORTANT - ENSURE SUITABLE FIXINGS ARE USED FOR WALL TYPE



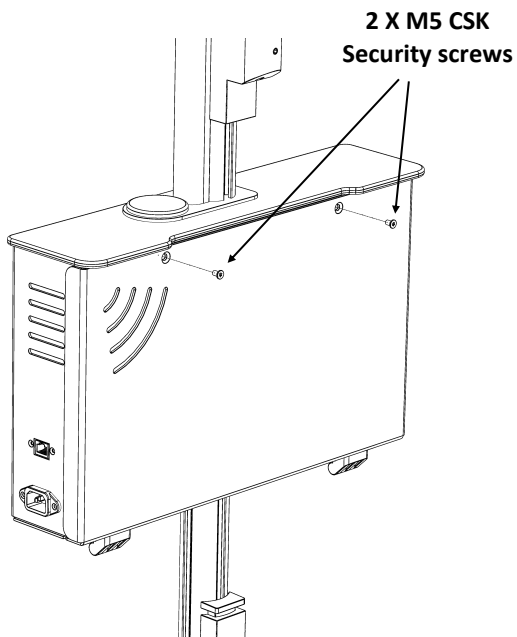
CONNECTING VESA HEAD & ARM

Push vesa head (C) into Dynamic Arm (B) then arm into top connector

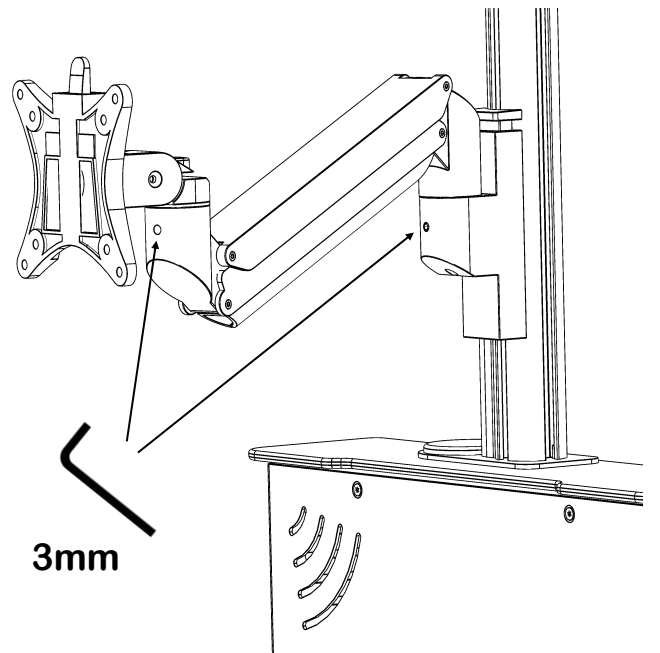


CLOSING PC CASE

Use 2x M5 CSK security screws provided to close PC Case (F).



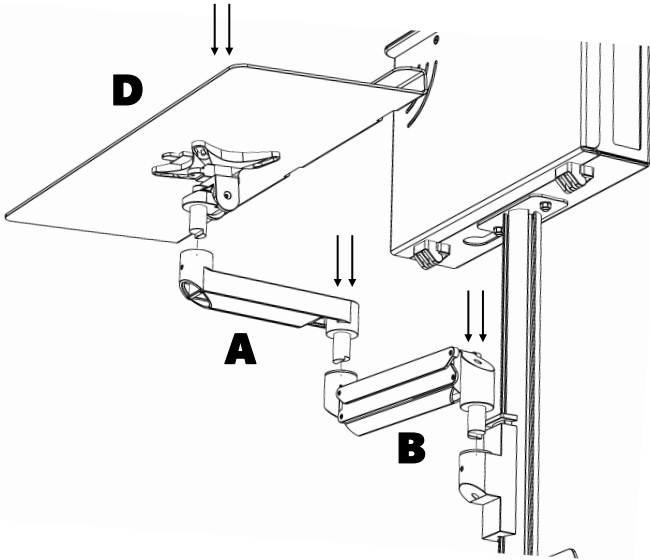
Secure connectors by tightening M4 screws with 3mm hex key provided - DO NOT OVERTIGHTEN



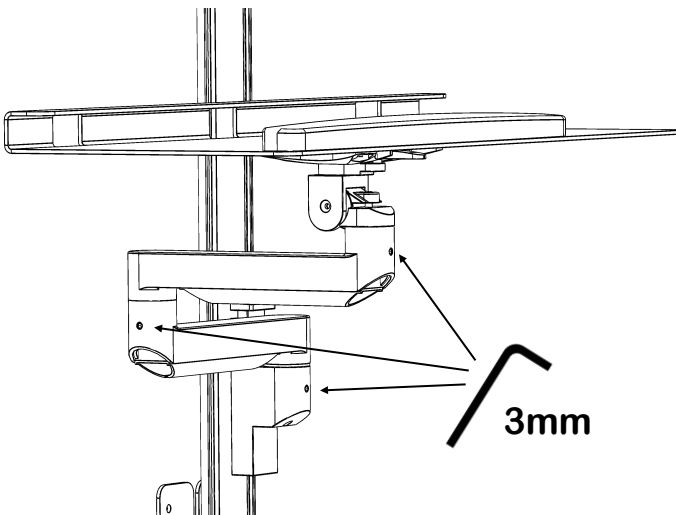


CONNECTING KEYBOARD TRAY & ARMS

Push keyboard tray (D), into arm (A) then into dynamic arm (B) then into bottom connector

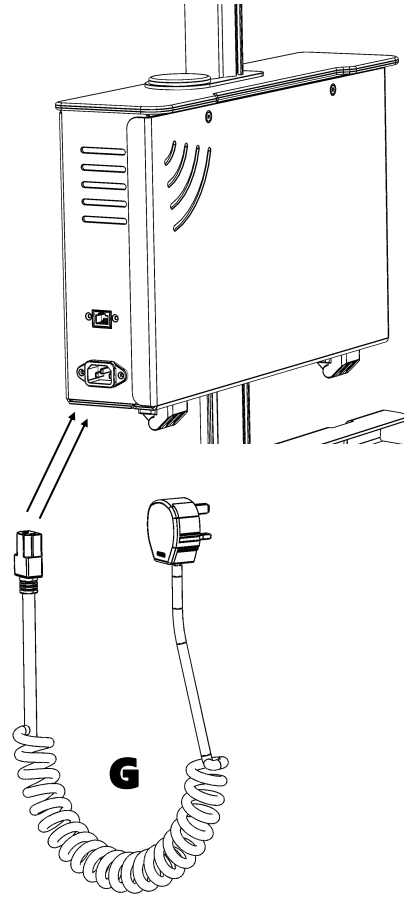


Secure connectors by tightening M4 screws with 3mm hex key provided - DO NOT OVERTIGHTEN



POWER LEAD

Connect power lead into IEC connector at the side of the PC case & plug into wall socket when unit is ready for power



COMPLETE PC FIT

Once HUBB assembly is complete, see O&M Manual for 'PC FIT OPERATIONS'

