

Safety & Dangers



DANGER!

Improper handling of mains cable can cause an electric shock hazard, other serious injuries or damage to the cart.



WARNING!

Unplug cart from wall before moving to prevent damage to power supply. Moving cart before unplugging is hazardous.



WARNING!

Keep RDP coiled cable connected to cart at all times.



WARNING!

Inappropriate handling of the power supply cord, e.g. by kinking, shearing or other mechanical damage is hazardous!



WARNING!

To avoid risk of electric shock, this equipment must only be connected to a supply mains with protective earth.



WARNING!

No modification of this equipment is allowed.



WARNING!

Do not modify this equipment without authorization of the manufacturer.



WARNING!

If this equipment is modified, appropriate inspection and testing must be conducted to ensure continued safe use of the cart.



Safety Instructions



WARNING!

Important safety instructions. It is important for the safety of persons to follow these instructions. Save these instructions.

Follow the instructions carefully.

- Any non-observance of this manual may lead to injuries or damage of property.
- Only use the cart if it is in perfect working order.
- If necessary, check the cart functions daily or at each shift change.
- If necessary, check the cart for any damage especially to power supply cables.
- Use the cart exclusively in its original condition.
- Use the cart exclusively with the correct mains supply and RDP supplied coiled cable.
- Ensure that the cart is exclusively operated by qualified personnel.
- Move the cart exclusively on even, hard-surfaced floors.
- Report any damaged parts immediately.
- Ensure that maintenance and installation are performed exclusively by qualified personnel who have been trained by the manufacturer.
- Do not apply excess weight or loads to the cart according to SWL (Safe Working Load).
- Take care to avoid crushing when operating moving parts.
- Ensure that the castors are braked when the cart is stationary.
- Never use the cart in areas where there is a hazard of explosion.
- Never handle the mains plug with wet hands.



Safety Instructions



Follow the instructions carefully.

- Remove the mains cable exclusively by pulling on the plug at the wall socket.
- Position the mains cable so that there are no kinks or bends in the cable; protect the cable from mechanical wear and tear.
- Improper handling of mains cable can cause an electric shock hazard, other serious injuries or damage the cart.
- Ensure that the moving parts of the cart are not blocked.
- To prevent failures, use exclusively the manufacturer's original accessories and power cable.
- Ensure that the stipulated SWL (Safe Working Load) is not exceeded.
- Ensure that the cart and its components are only modified with the manufacturer's approval.
- Manual positioning of parts of the cart which are designed for electronic positioning (e.g. height adjustment) is forbidden. Otherwise there is a risk of damaging and dysfunction of the actuator or unprompted fall of the worksurface.
- This appliance contains batteries that are only replaceable by skilled personnel.
- Always disconnect the furniture from the supply before assembling, disassembling, performing maintenance or cleaning.
- Examine the appliance frequently for signs of wear or damage.
- This appliance can be used by children aged from 8 years and above and persons with reduced physical, sensory, or mental capabilities or lack of experience and knowledge if they have been given supervision or instruction concerning use of the appliance in a safe way and understand the hazards involved. Children shall not play with the appliance. Cleaning and user maintenance shall not be made by children without supervision.



Conditions of Use

The cart may not be used and stored in indoor environments:



- Where there is a risk of explosion.
- Containing inflammable anaesthetics.

The cart is designed for use in wards and rooms for medical purposes. Electrical installations must therefore meet local standards laying down the necessary conditions for electrical installations.

- Disconnect the cart from the mains in exceptional cases (i.e. earthquake, lightning).

Correct Use



DANGER!

Risk of injury or death due to incorrect use of equipment!

Always conduct the risk assessments required for the selection of suitable equipment.

RDP carts are mobile IT workstations. The stable undercarriage with 4 castors makes it possible for the cart to be controlled by one person.

Personnel

- Qualified medical staff
- Any person familiar with the manual

Use

- Standard care
- Critical care
- Uninterrupted operation



Incorrect Use

RDP carts are not suitable for:

- Patients
- Homecare
- Use not fulfilling conditions stated above
- Use other than described in this manual



RDP's efforts in research, design and manufacture ensure products are of the highest quality and fit for their intended purpose. However, RDP can take no responsibility for any damage to the products or any harm to patients, staff or other individuals resulting from:

- Not following the instructions in the manual, including warning notices.
- Using the product for a purpose other than the intended purpose stated in the relevant documentation provided by RDP (see Correct Use).

Scope of Delivery

Delivery:

- Upon receipt, check that the shipment is complete as specified on the delivery note.
- Notify the carrier and supplier of any deficiencies or damages immediately as well as in writing or make a note on the delivery note.



WARNING!

Damage to the cart due to incorrect use!

Use 75mm/100 mm castors exclusively on flat, even surfaces without any gaps.



Maintenance



WARNING!

A defective cart can cause injuries!

- Have a defective cart repaired immediately.
- If the defect cannot be repaired, do not use the cart.



WARNING!

Incorrect maintenance can damage the cart!

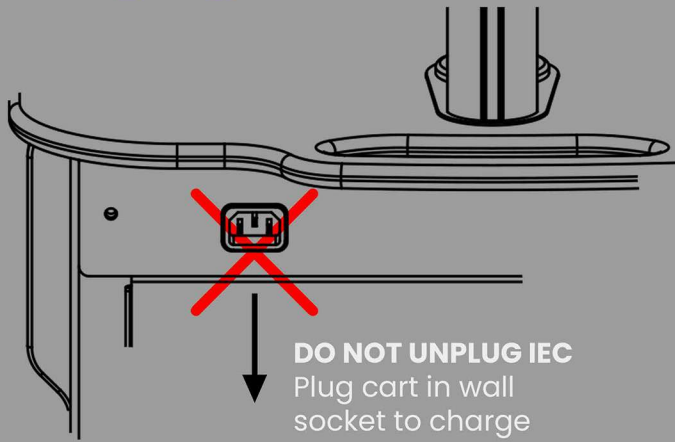
- Remove a defective cart from service and have the defective cart repaired.

Warranty

This product is covered by a 5 year warranty from the date of delivery. The warranty covers all material and manufacturing-related failures and errors. Failures and errors caused by incorrect use and external effects are not covered. Justified complaints will be fixed free of charge during the warranty period. Proof of purchase, with the date of purchase, is required for all warranty service. Our standard terms and conditions apply.



Charging CUBE

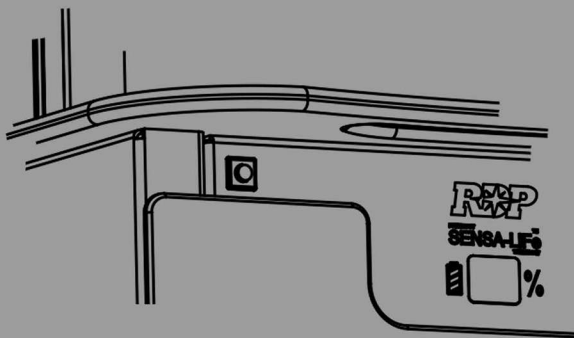


DO NOT UNPLUG IEC
Plug cart in wall socket to charge

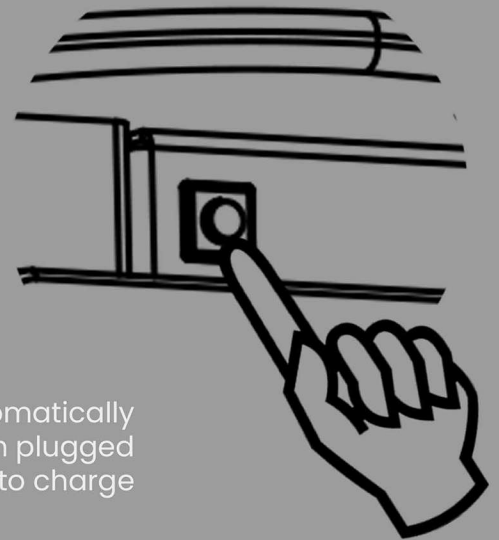
	CAUTION UNPLUG CART FROM WALL BEFORE MOVING
	DANGER! Improper handling of mains cable can cause an electric shock hazard, other serious injuries or damage the cart.

WARNING
Always unplug cart before moving

Power On



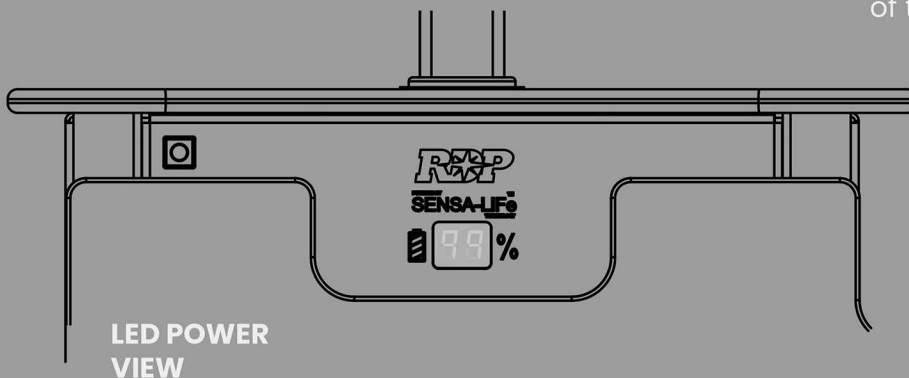
Switch Positioned on Front of CUBE
Press button once to turn on cart. To turn off cart press and hold for 5 seconds.



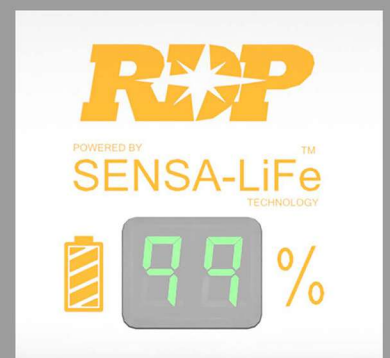
Note: Cart will automatically turn on when plugged in to charge

Power Display

Battery Indication
LED display will illuminate to indicate the battery status of the cart



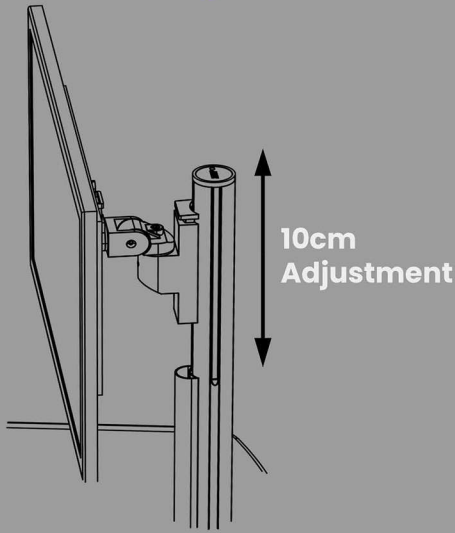
LED POWER VIEW



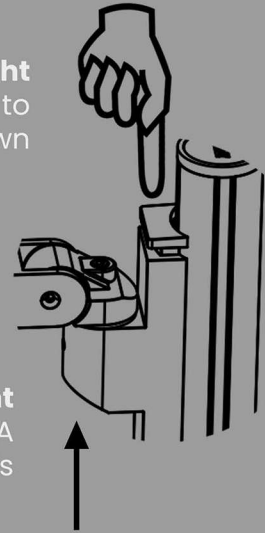
Plug the cart in when not in use



Monitor Adjustment



Lowering Monitor Height
Press top button to slide monitor down



Increasing Monitor Height
Simply lift the screen/VESA to move upwards

Castor Adjustment

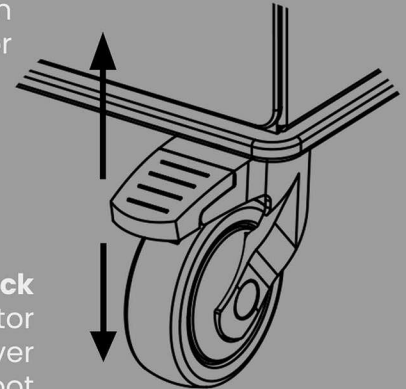
Castors

2x Locking front castors
2x Non locking rear castors



Un-lock

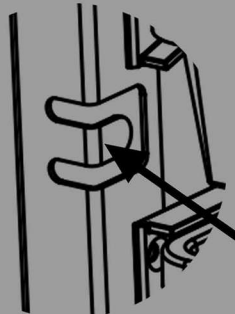
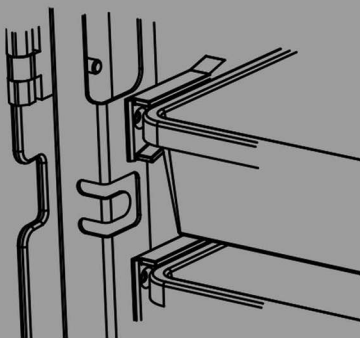
To release the brake push the front lever up on the castor



Lock

To lock the castor press brake lever down with foot

Security Tether

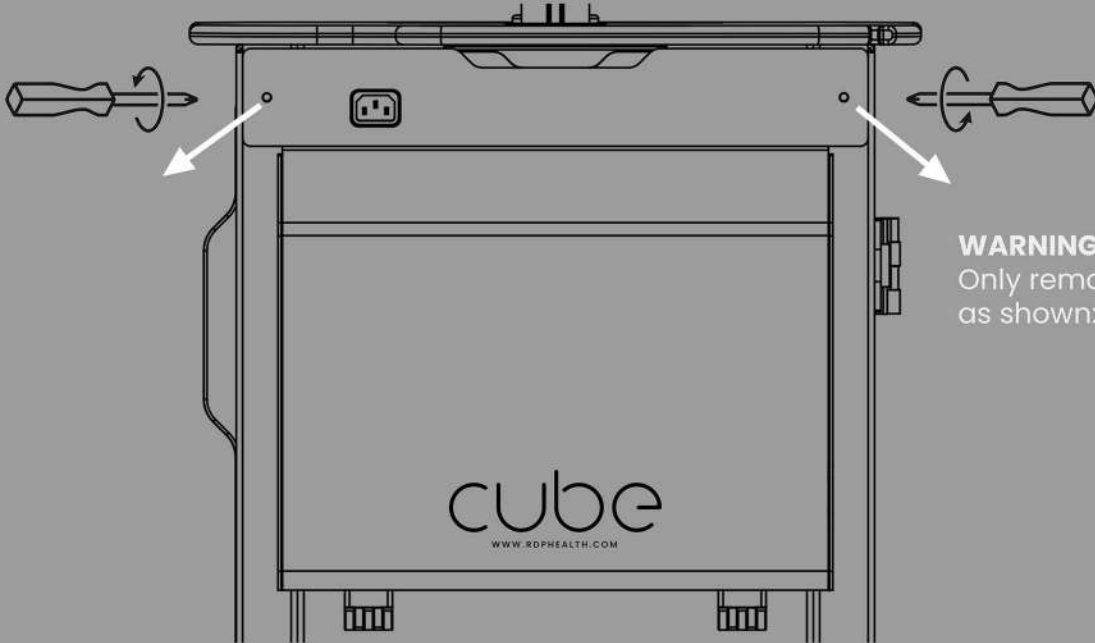


Security Tether Point
Cable can be looped into notch between door and case



Opening PC Case

To access PC case, remove 2x security screws at either side of case.



WARNING
Only remove PC case screws as shown:

Installing PC

PC Installation

Position PC with velcro pads (Supplied)

Align PC with bracket edge

Monitor Cables

Can be passed through hole provided in worktop after removing grommet

