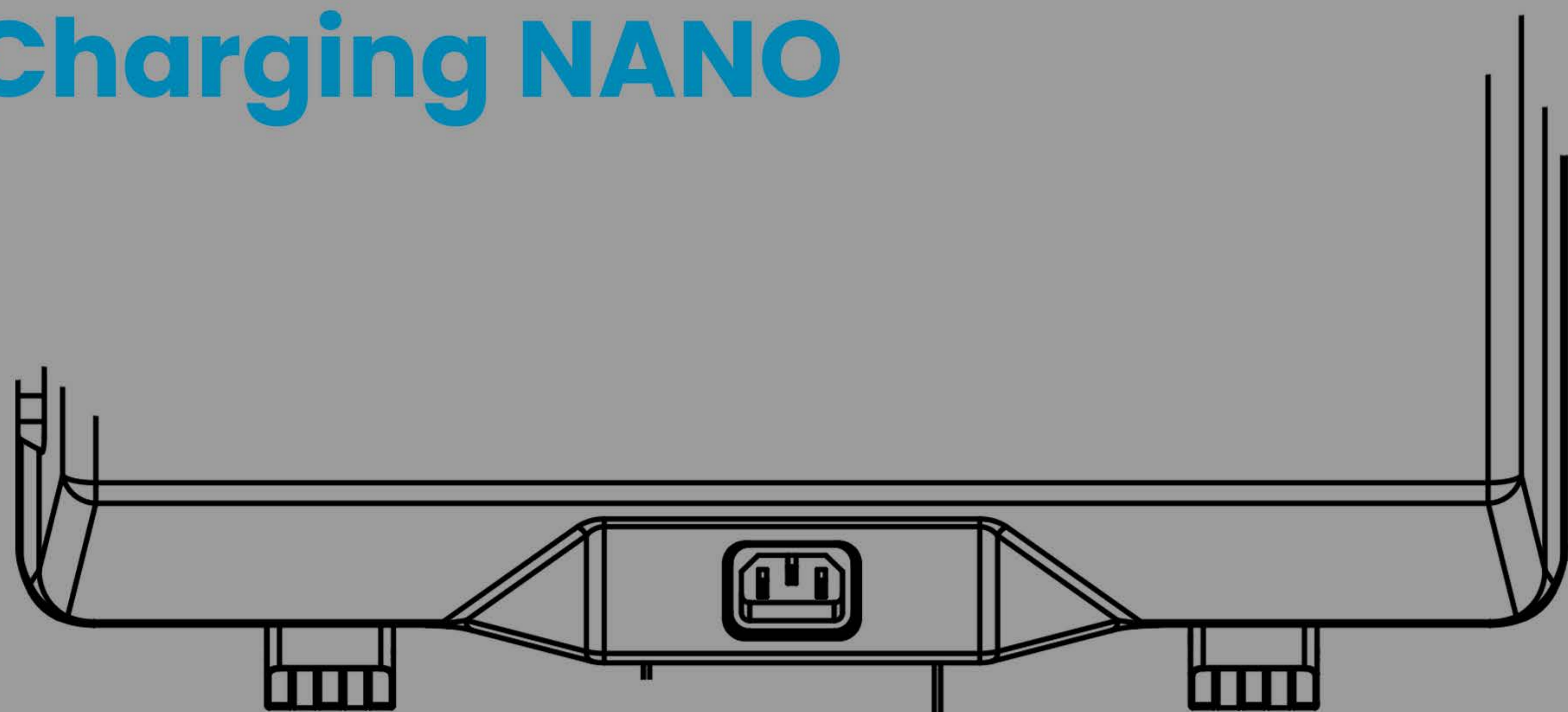
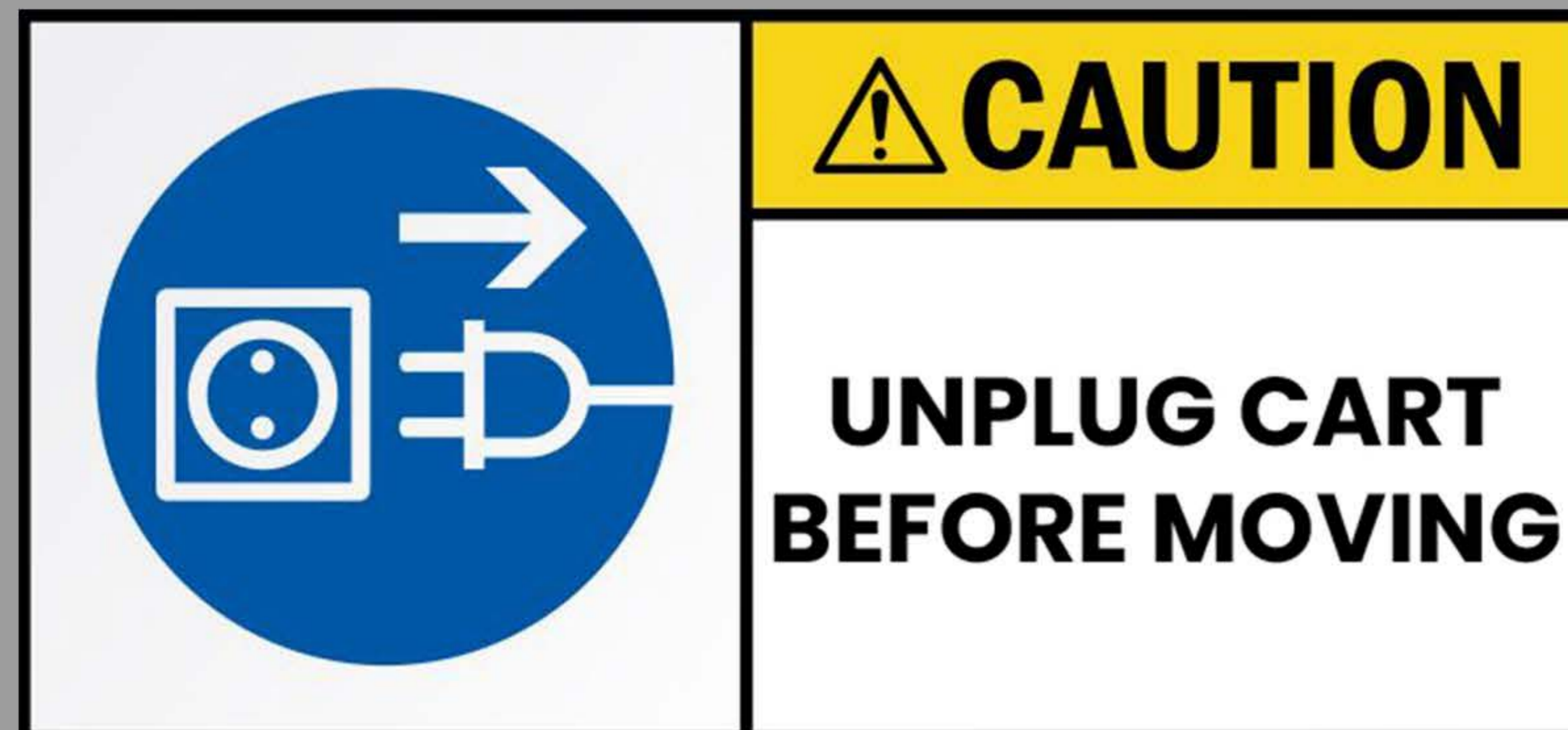


Charging NANO

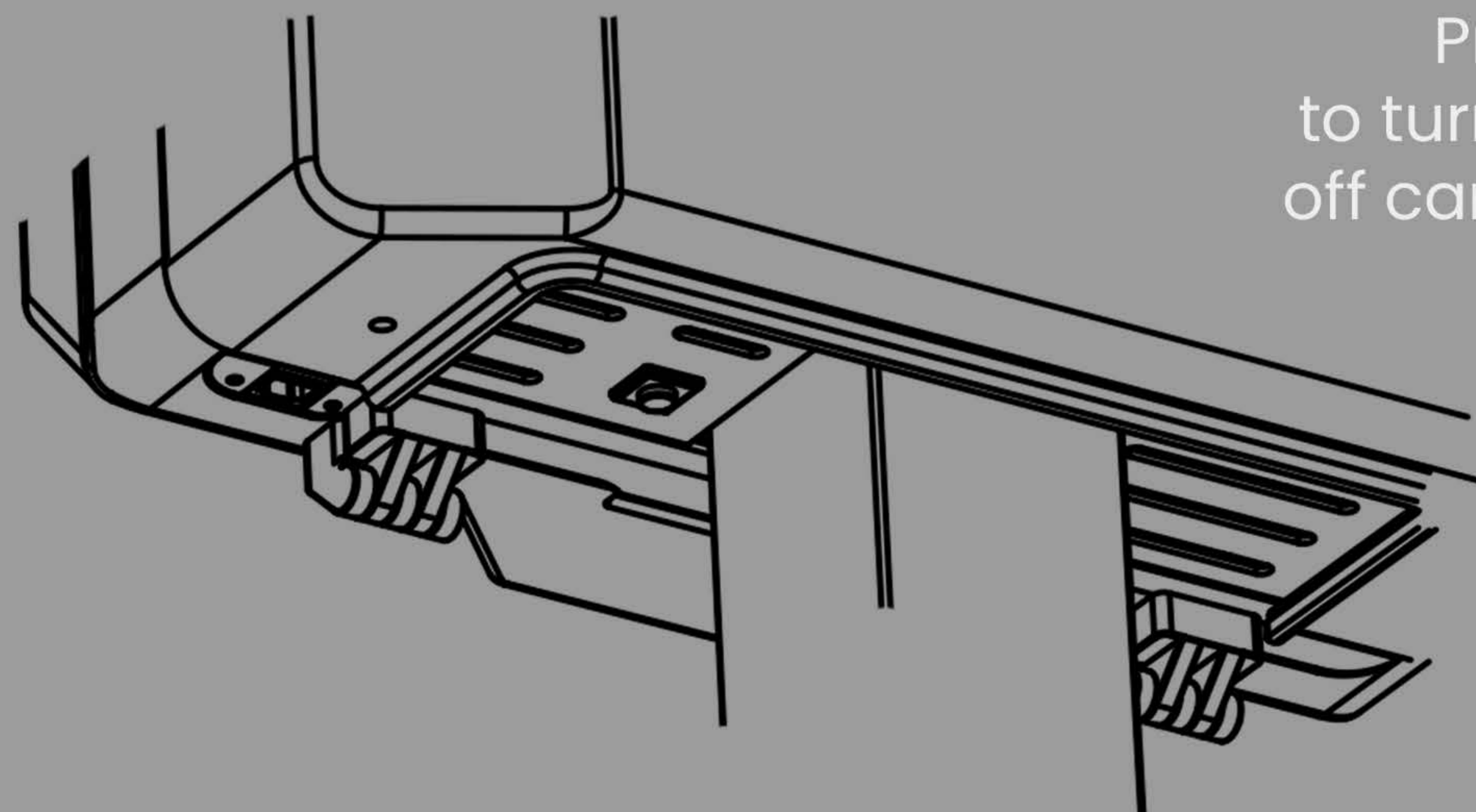


Insert to Charge
Insert power cable into IEC point at the rear of the cart.

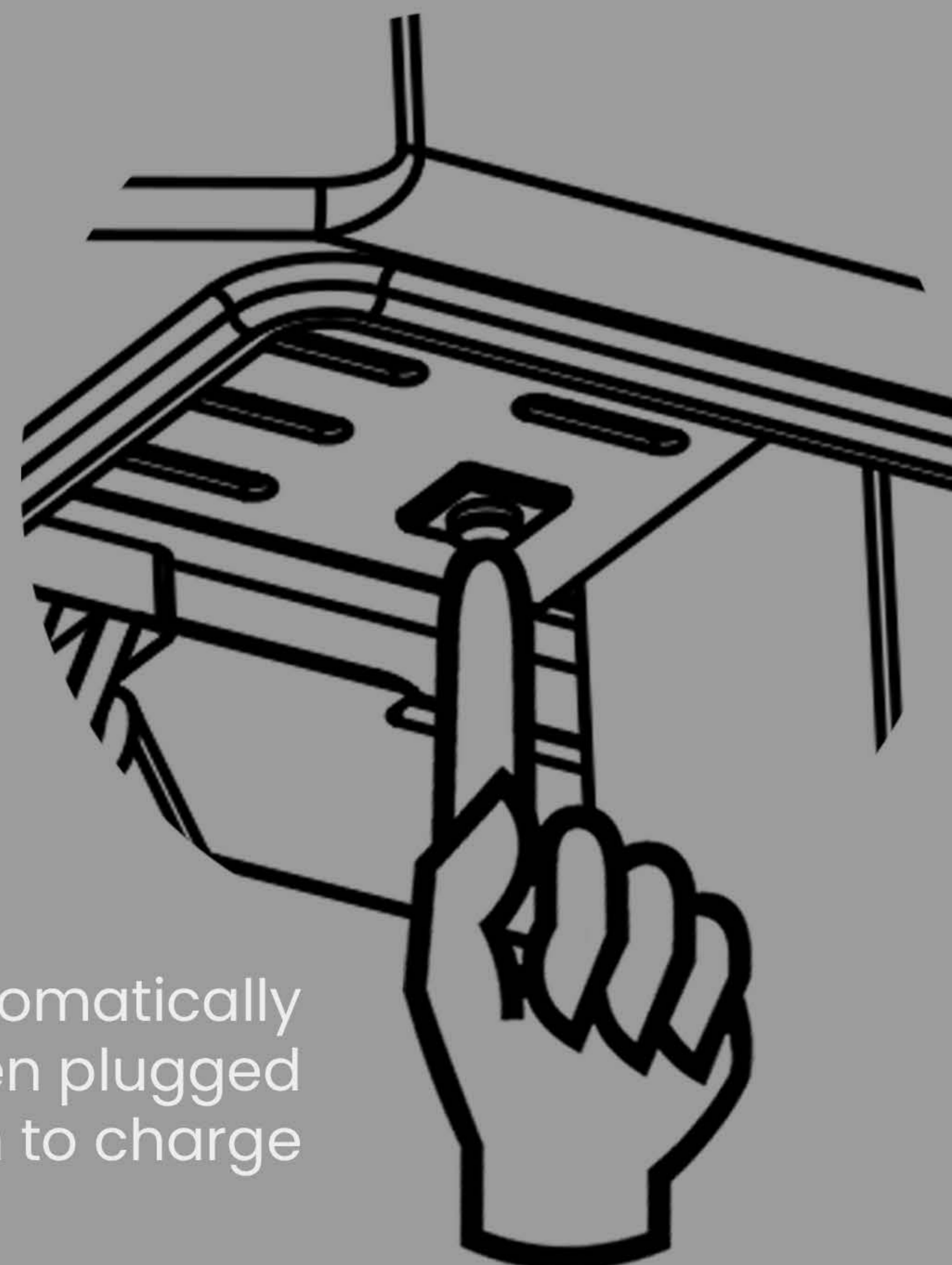


WARNING
Always unplug cart before moving

Power On

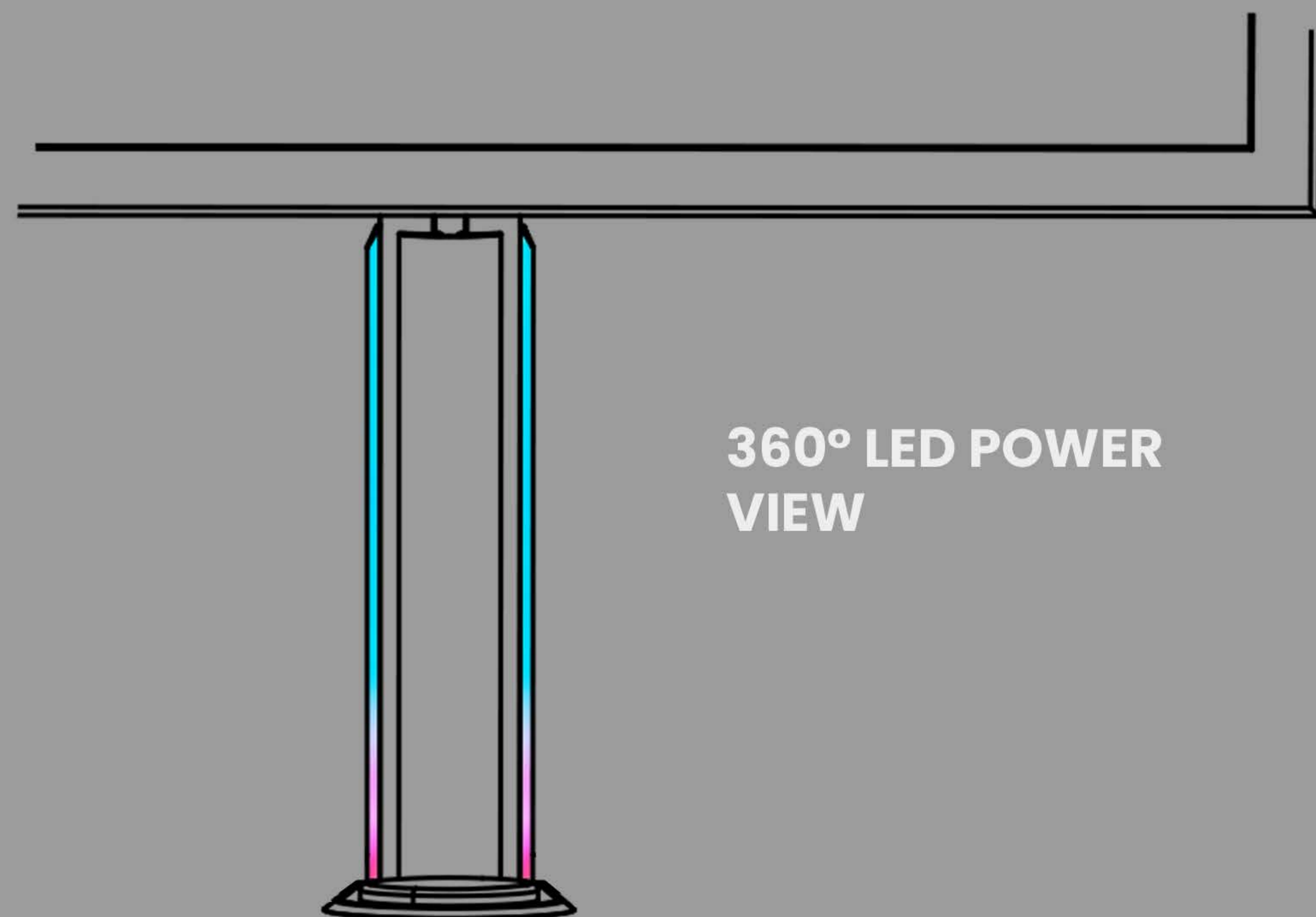


Switch Positioned on Base of PowerSlice
Press button once to turn on cart. To turn off cart press and hold for 5 seconds.



Note: Cart will automatically turn on when plugged in to charge

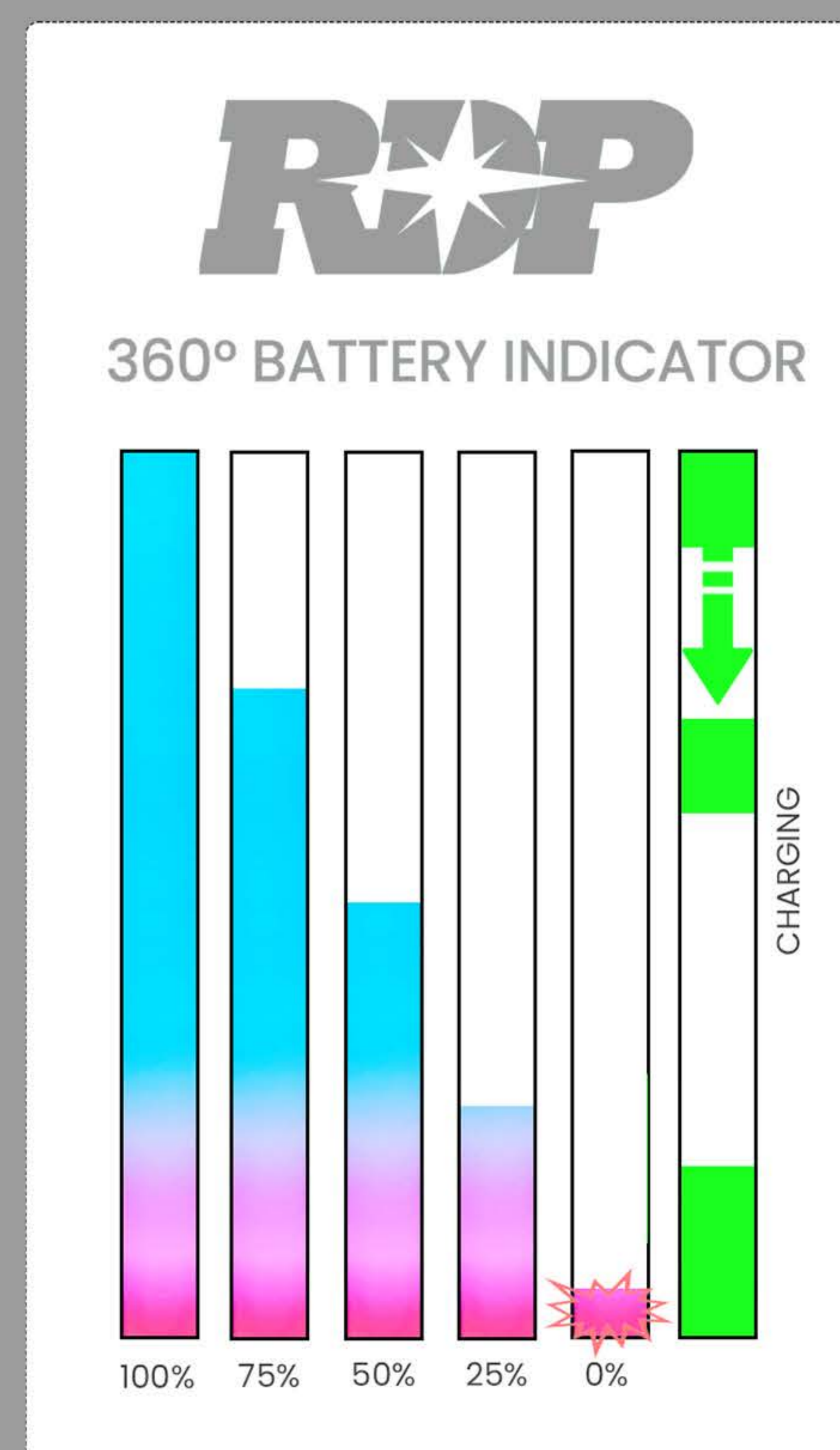
Power Display



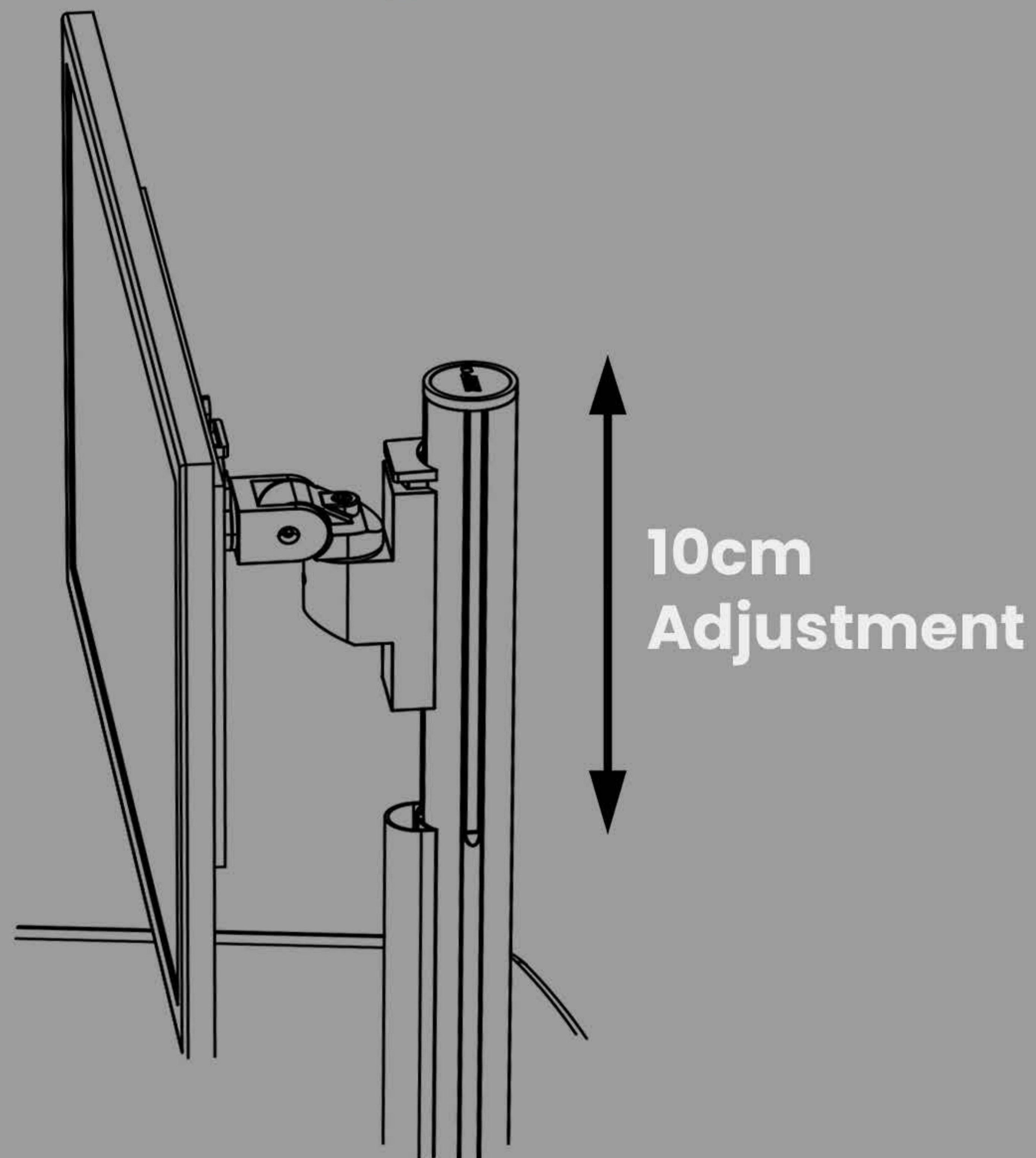
360° LED POWER VIEW

Battery Indication
LED display will illuminate to indicate the battery status of the cart

Plug the cart in when not in use



Monitor Adjustment

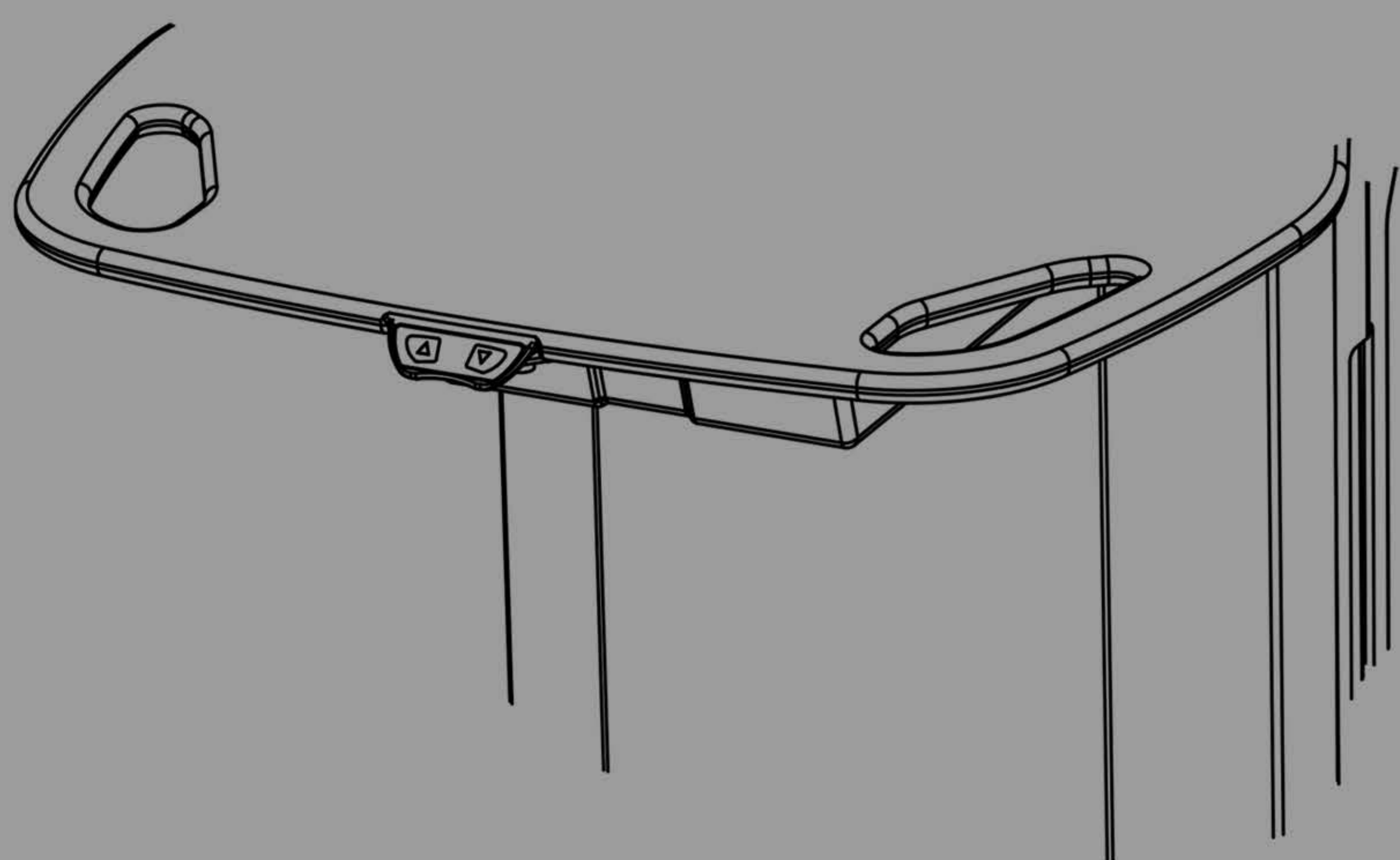


Lowering Monitor Height
Press top button to slide monitor down

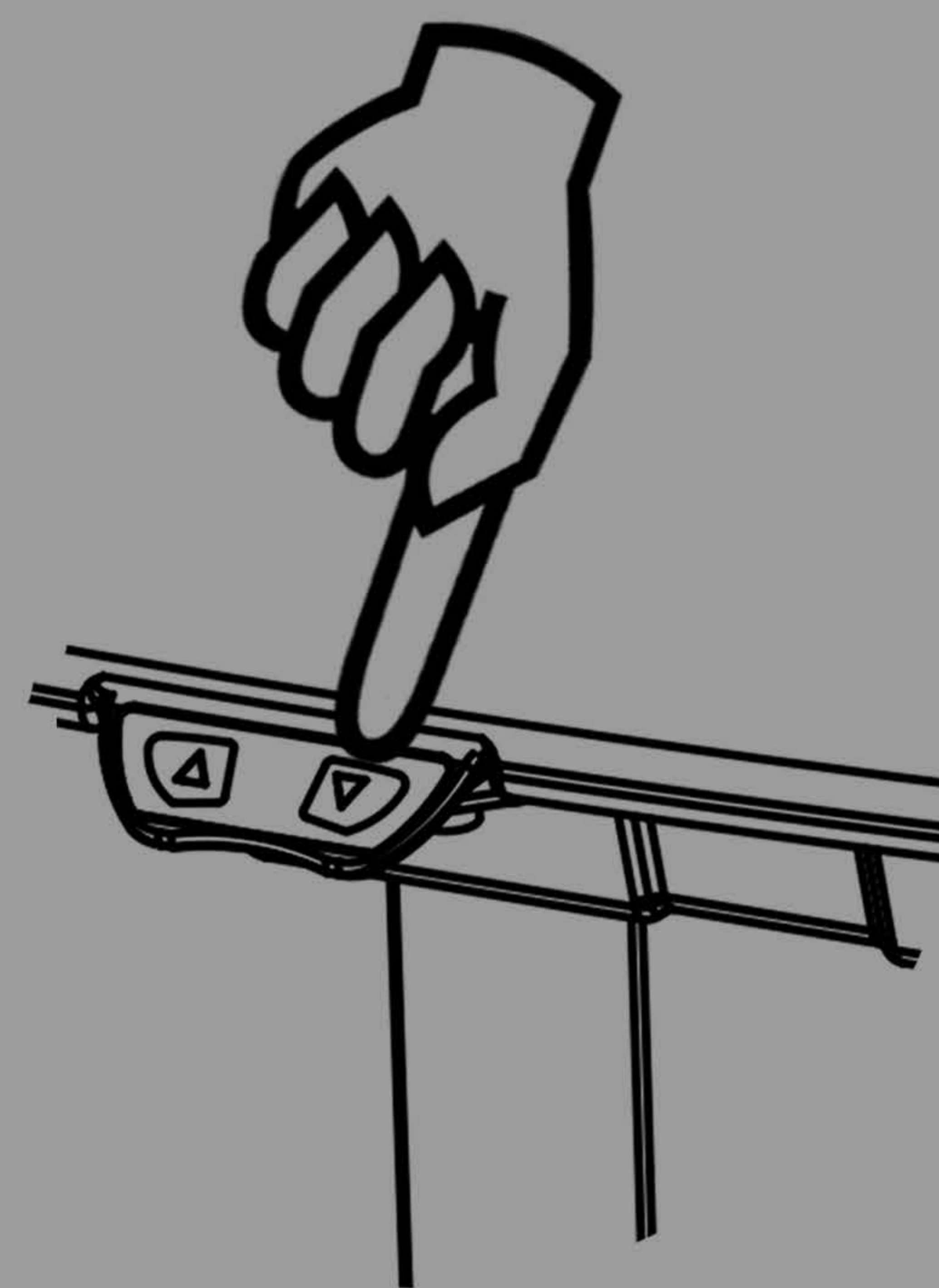


Increasing Monitor Height
Simply lift the screen/VESA to move upwards

Cart Height Adjustment



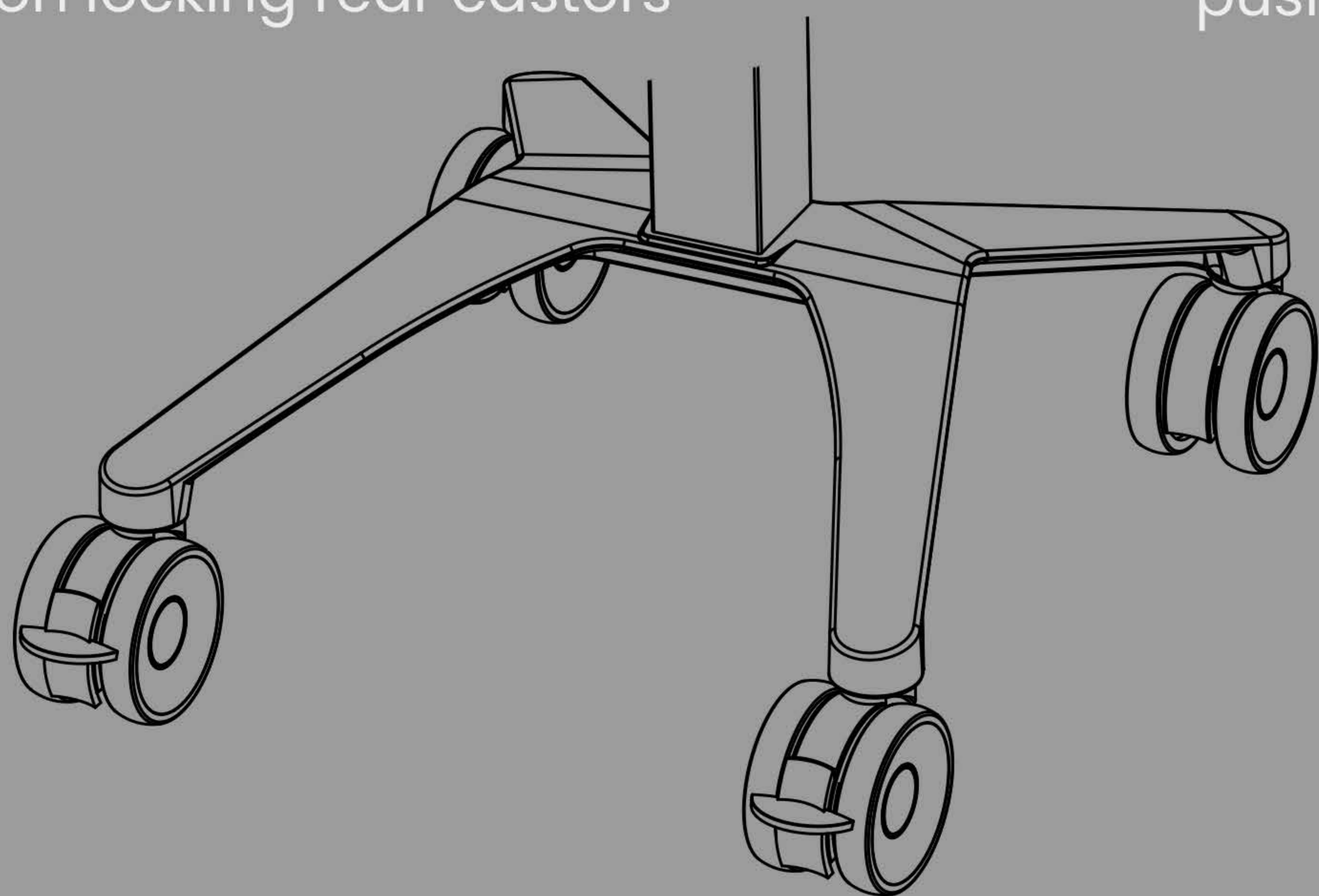
Adjust Workstation Height
Hold down relevant button to adjust worktop to required height.



Castor Adjustment

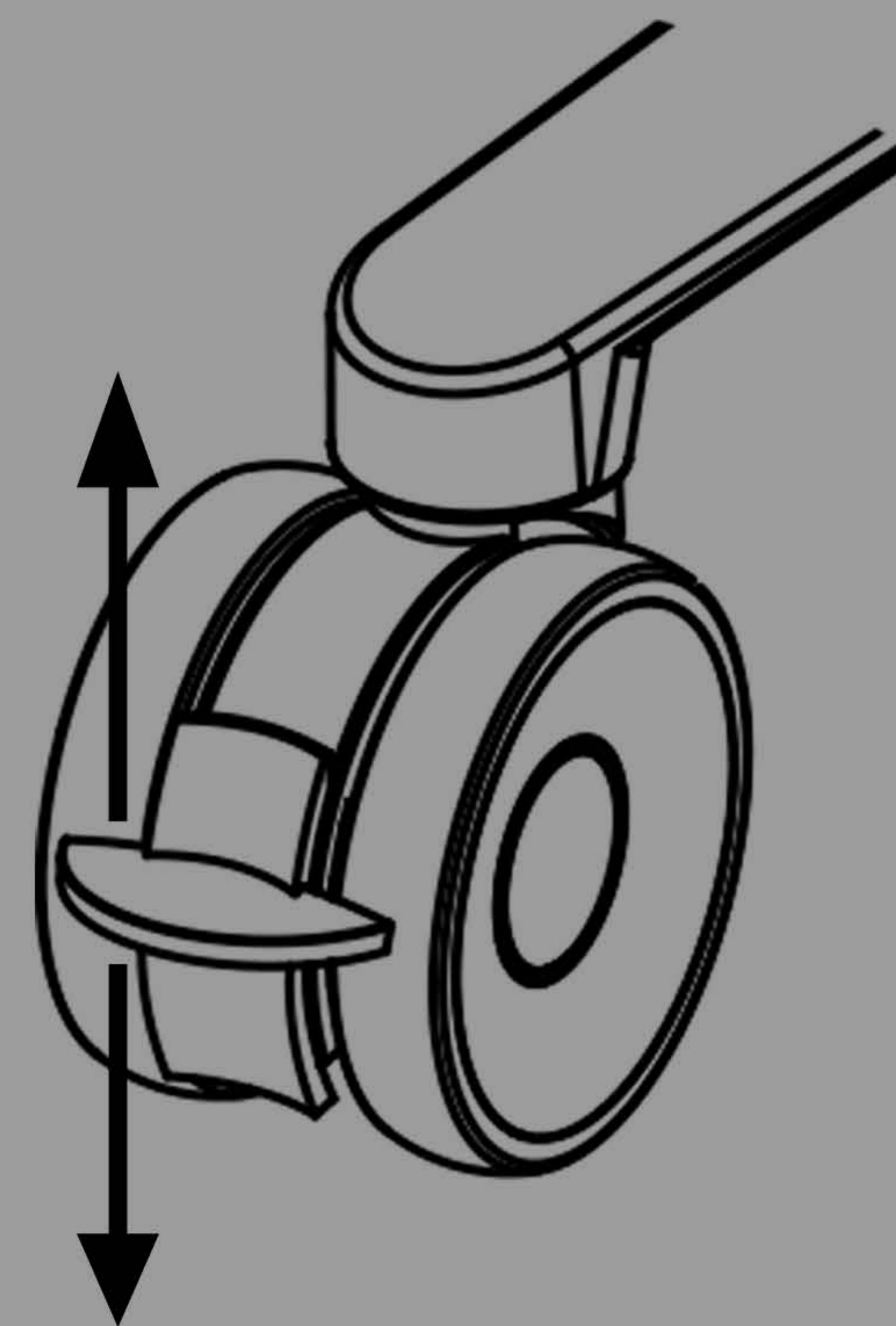
Castors

- 2x Locking front castors
- 2x Non locking rear castors



Un-lock

To release the brake push the front lever up on the castor



Lock

To lock the castor press brake lever down with foot

