

## Safety & Dangers



### WARNING!

Inappropriate handling of the power supply cord, e.g. by kinking, shearing or other mechanical damage is hazardous!



### WARNING!

Keep RDP coiled cable connected at all times.



### WARNING!

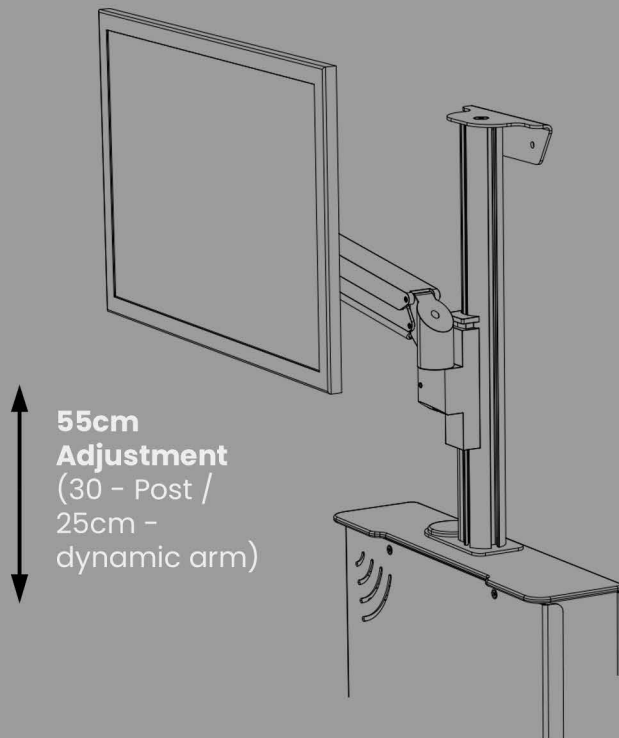
To avoid risk of electric shock, this equipment must only be connected to a supply mains with protective earth.

## Warranty

This product is covered by a 5 year warranty from the date of delivery. The warranty covers all material and manufacturing-related failures and errors. Failures and errors caused by incorrect use and external effects are not covered. Justified complaints will be fixed free of charge during the warranty period. Proof of purchase, with the date of purchase, is required for all warranty service. Our standard terms and conditions apply.



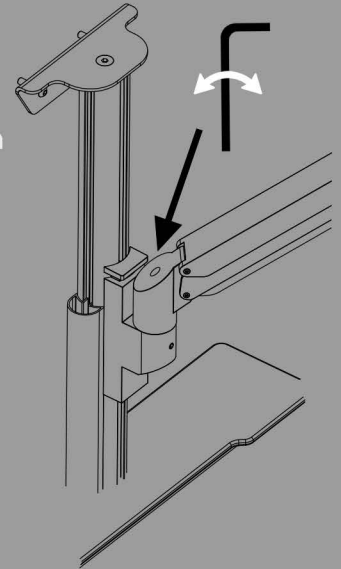
## Monitor Adjustment



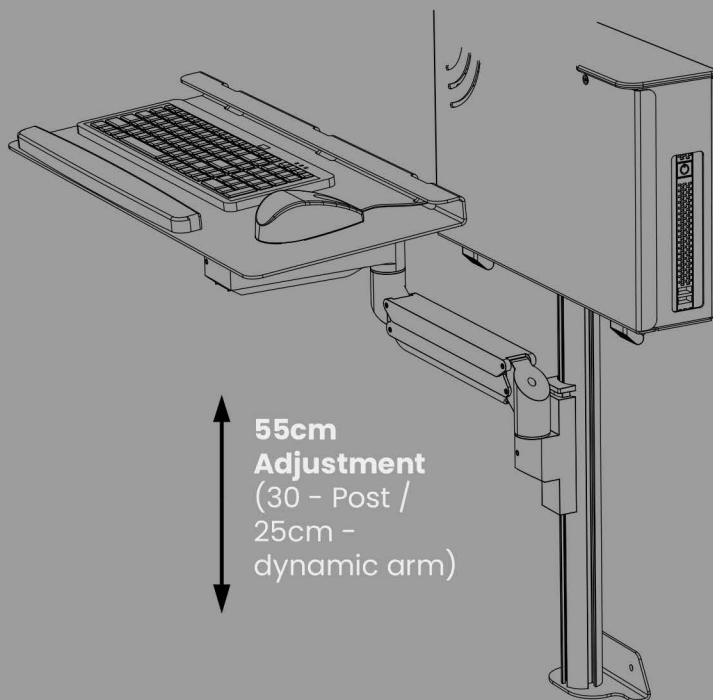
### IMPORTANT: ADJUSTING DYNAMIC ARM STRENGTH

**More Resistance - Tighten (+)**  
Turn anticlockwise with allen Key

**Less Resistance - Loosen (-)**  
Turn clockwise with allen Key



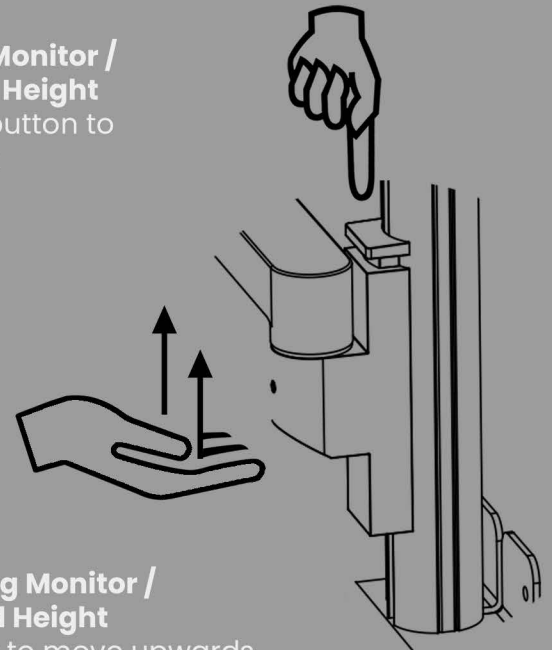
## Keyboard Height Adjustment



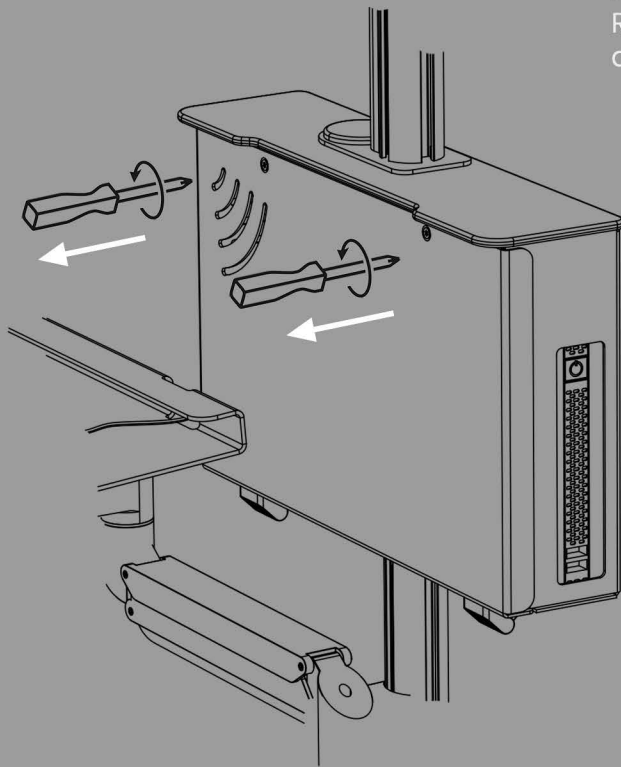
### IMPORTANT: SUPPORT MONITOR / KEYBOARD WHEN ADJUSTING HEIGHT

**Lowering Monitor / Keyboard Height**  
Press top button to slide down

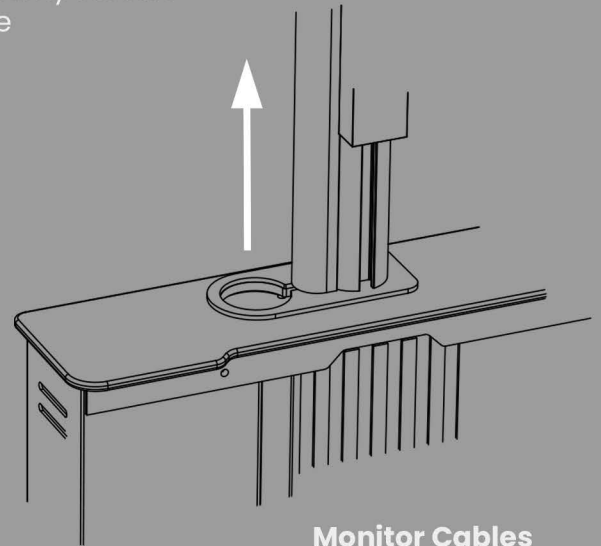
**Increasing Monitor / Keyboard Height**  
Simply lift to move upwards



### Opening PC Case

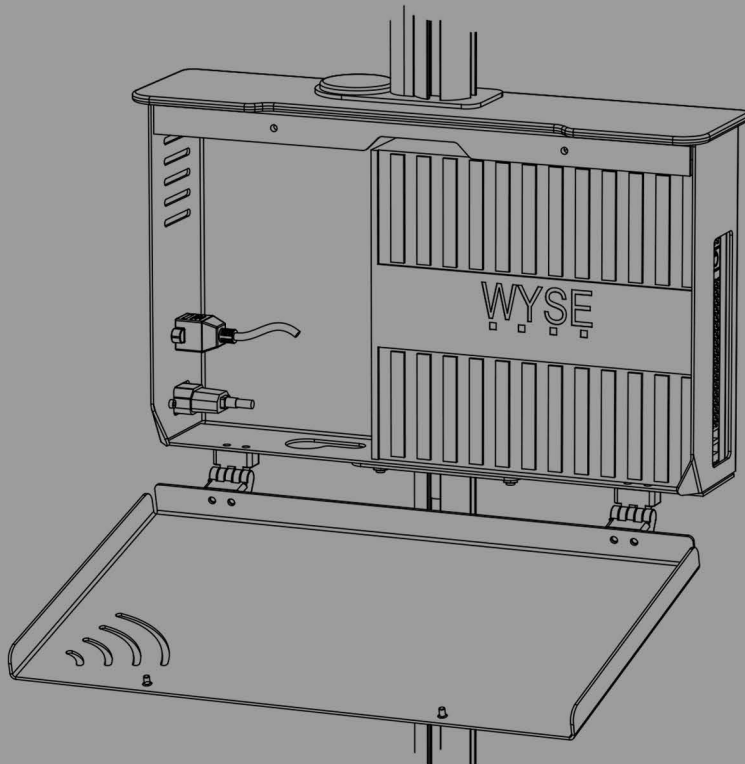


**Access PC case**  
Remove 2x security screws  
at front of case

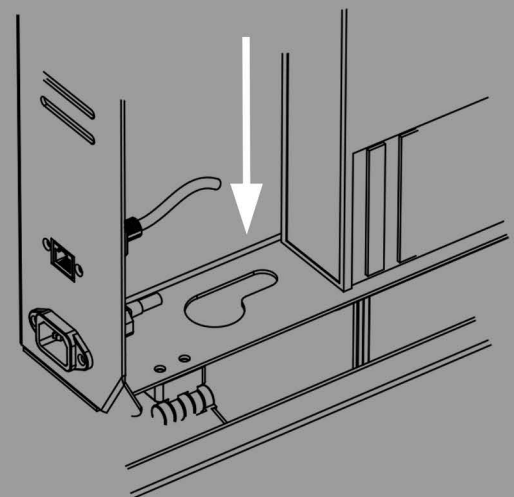


**Monitor Cables**  
Passed up through hole  
provided in case

### Installing PC



**Keyboard / Mouse**  
Passed down through hole  
provided in case



**PC Installation**  
Position PC with velcro  
pads (Supplied)

Align PC with aperture

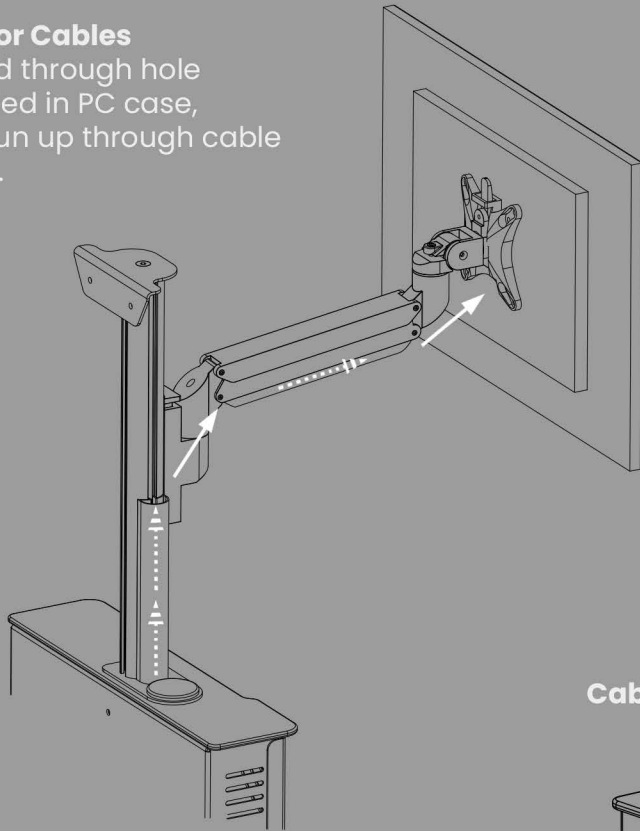




### Monitor Cable Management

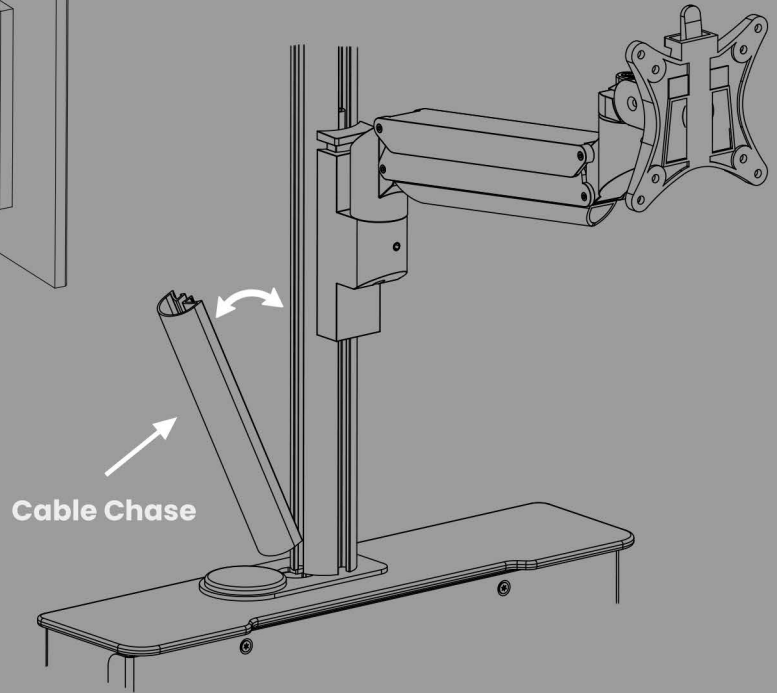
#### Monitor Cables

Passed through hole provided in PC case, then run up through cable chase.

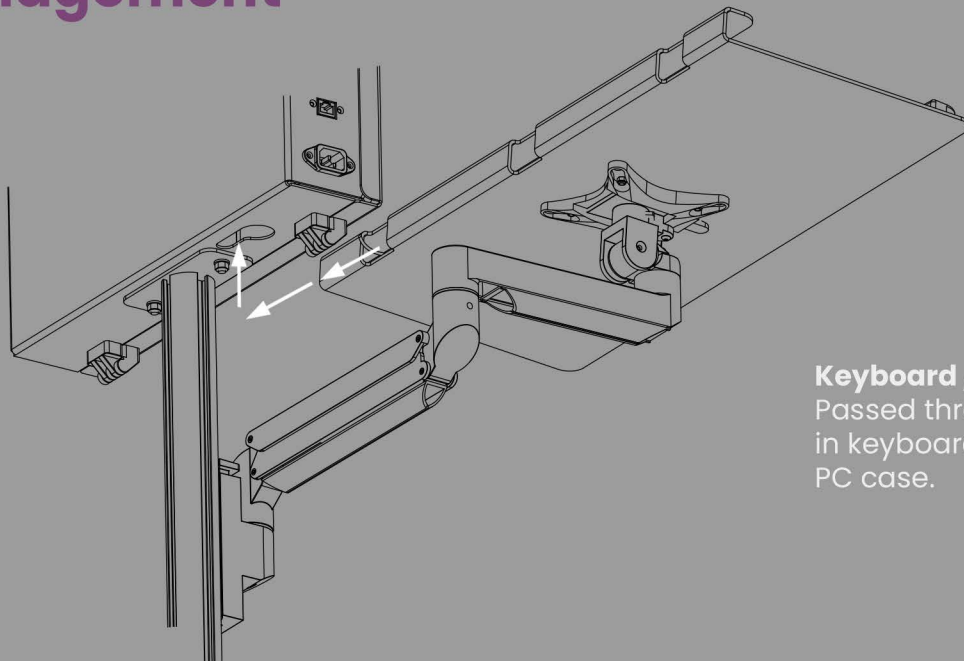


#### Cable chase

Clipped on and off to insert monitor cables.



### Keyboard Cable Management



#### Keyboard / Mouse Cables

Passed through holes provided in keyboard tray, then run up into PC case.

