



SENSE-LiFe;

Intelligent battery monitoring system, designed to ensure optimum efficiency



Electric Height adjustment;

Effortless sit to stand worktop adjustment



Modular Design

Designed to incorporate a full range of peripheral accessories



Power Display

Exclusive and elegant battery display providing accurate battery status visible from any angle

A3 EPMA Cart



A4 EPMA Cart



Easy clean

Designed to be Infection control friendly and easy to clean



Diecast Aluminium Base

Contoured and proportioned for strength, stability and usability



Extended storage

Large storage capacity to fit all medication needs

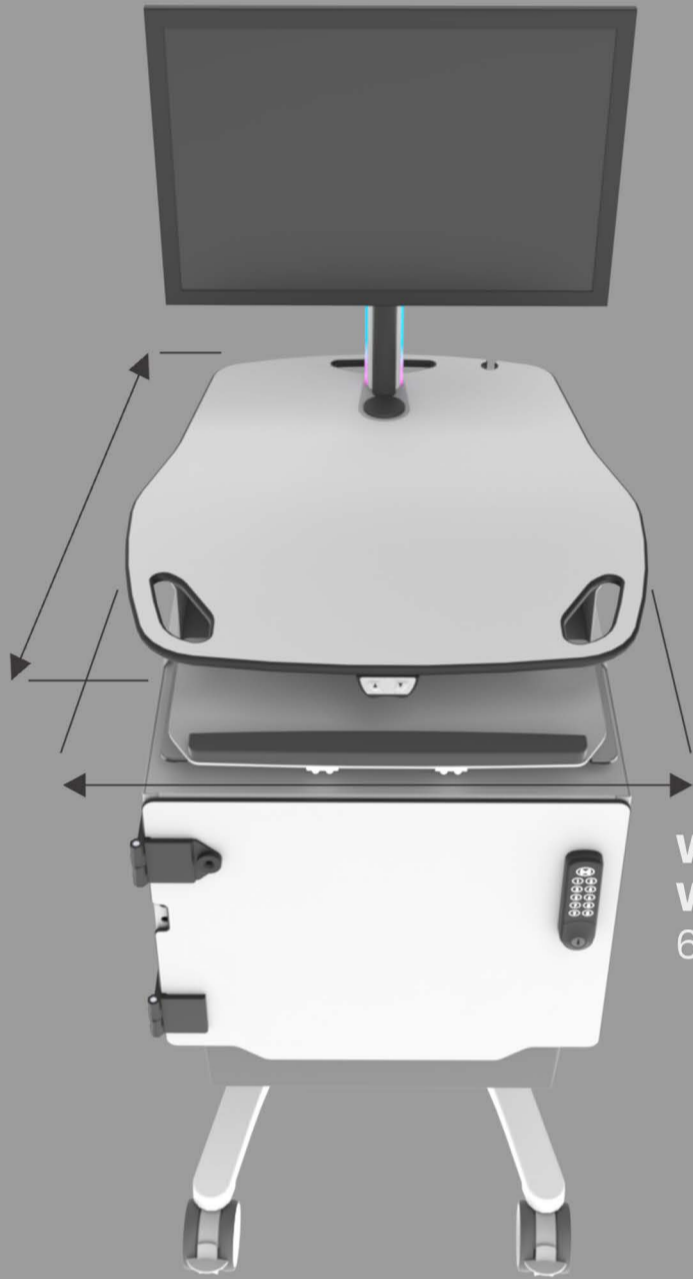


5 year warranty

Unrivalled no quibble warranty, supported by our in-house service team



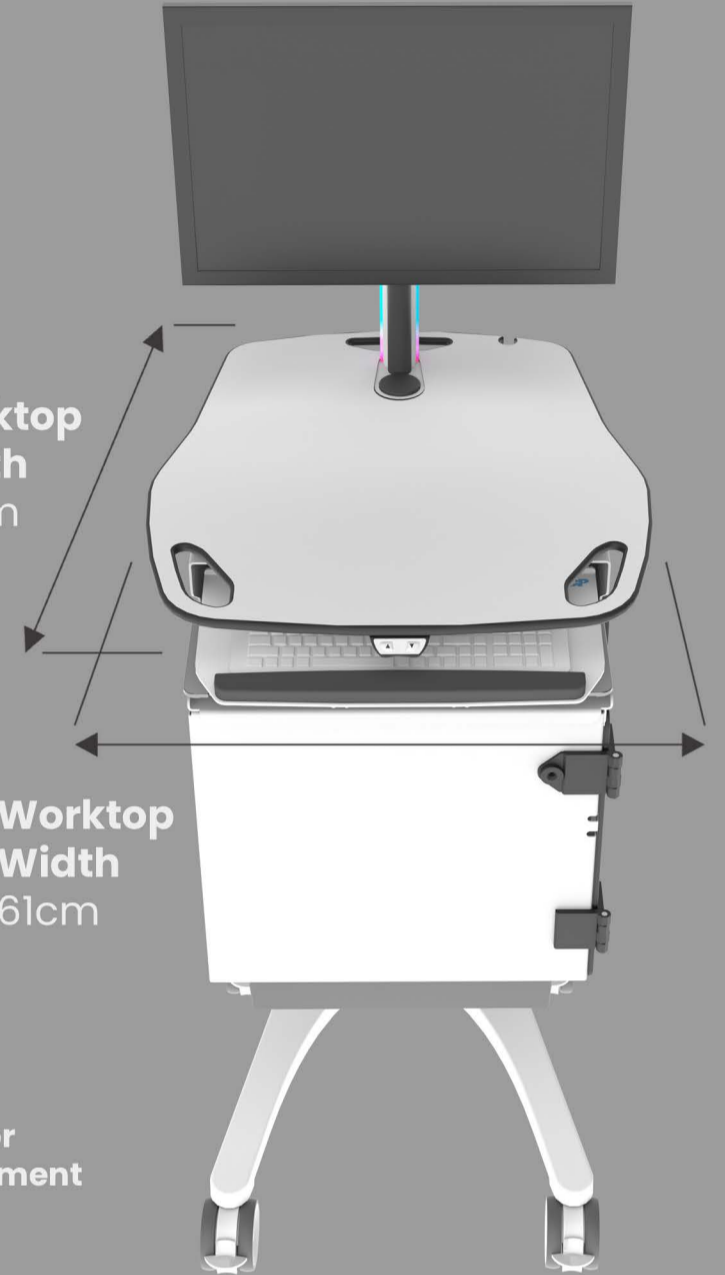
A3 EPMA Cart



**Worktop
Depth**
69cm

**Worktop
Width**
61cm

A4 EPMA Cart



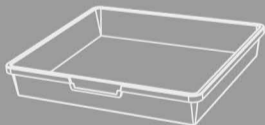
**Worktop
Depth**
69cm

**Worktop
Width**
61cm

**Monitor
Adjustment**
10cm

A3 Drawer Dimensions

Single - (WxDxH)
43cm x 38cm
x 7cm



Double - (WxDxH)
43cm x 38cm
x 15cm



Weight
51kg

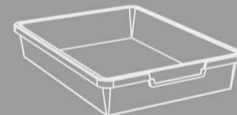


**Worktop
Height**
Maximum -
128cm
Minimum -
88cm



A4 Drawer Dimensions

Single - (WxDxH)
27cm x 38cm
x 7cm



Double - (WxDxH)
27cm x 38cm
x 15cm



Weight
52kg

