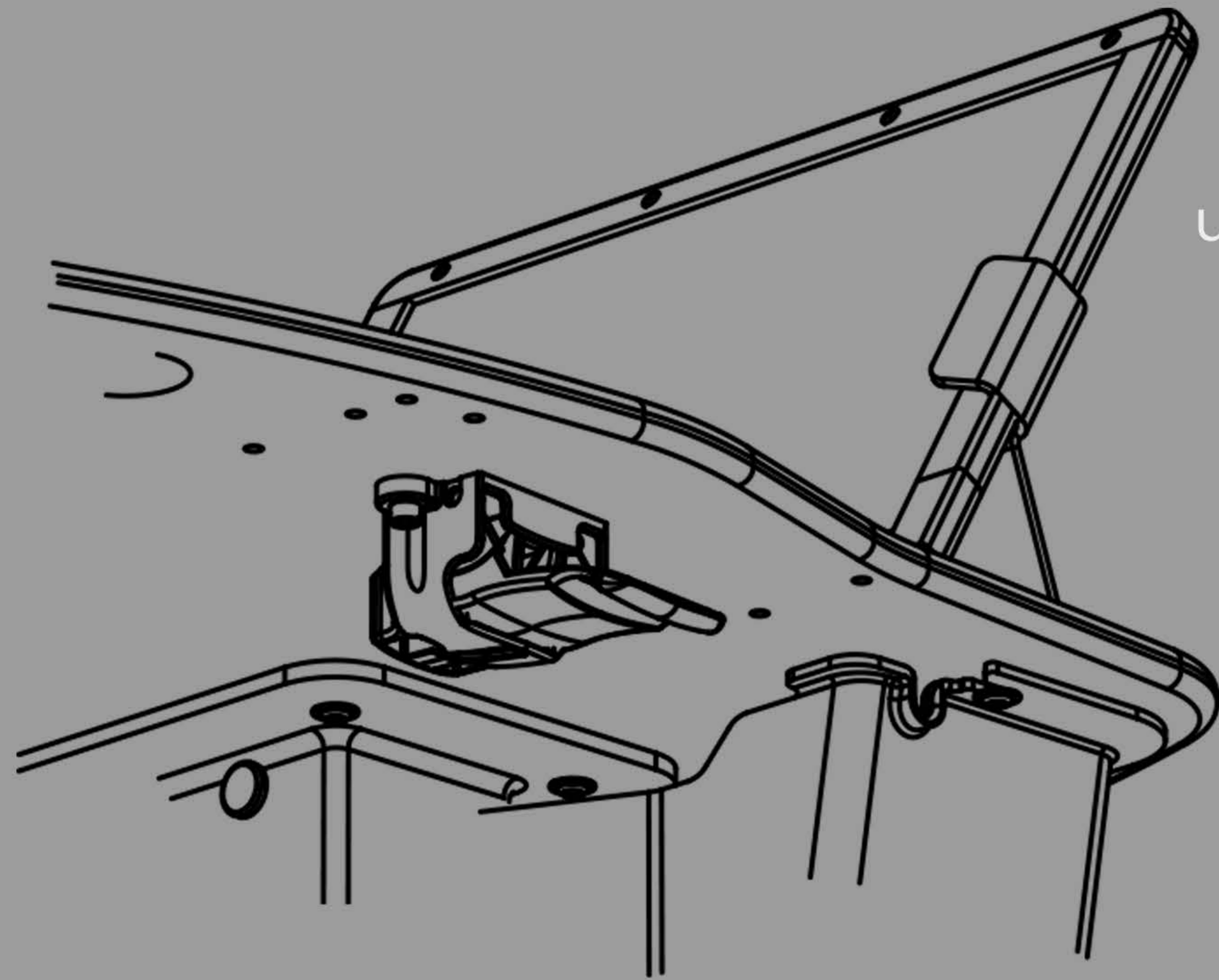
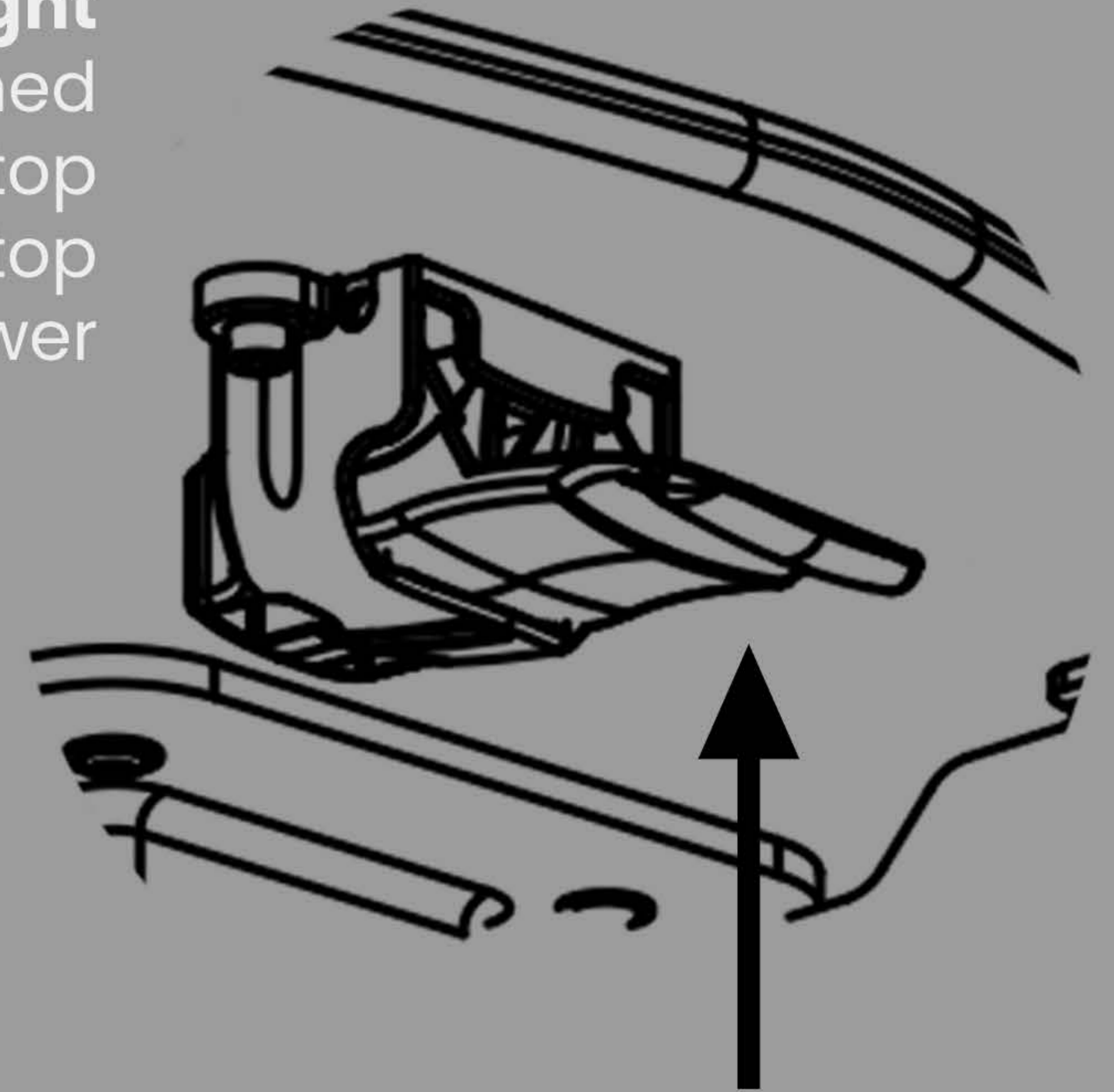


Cart Height Adjustment



Adjust Workstation Height

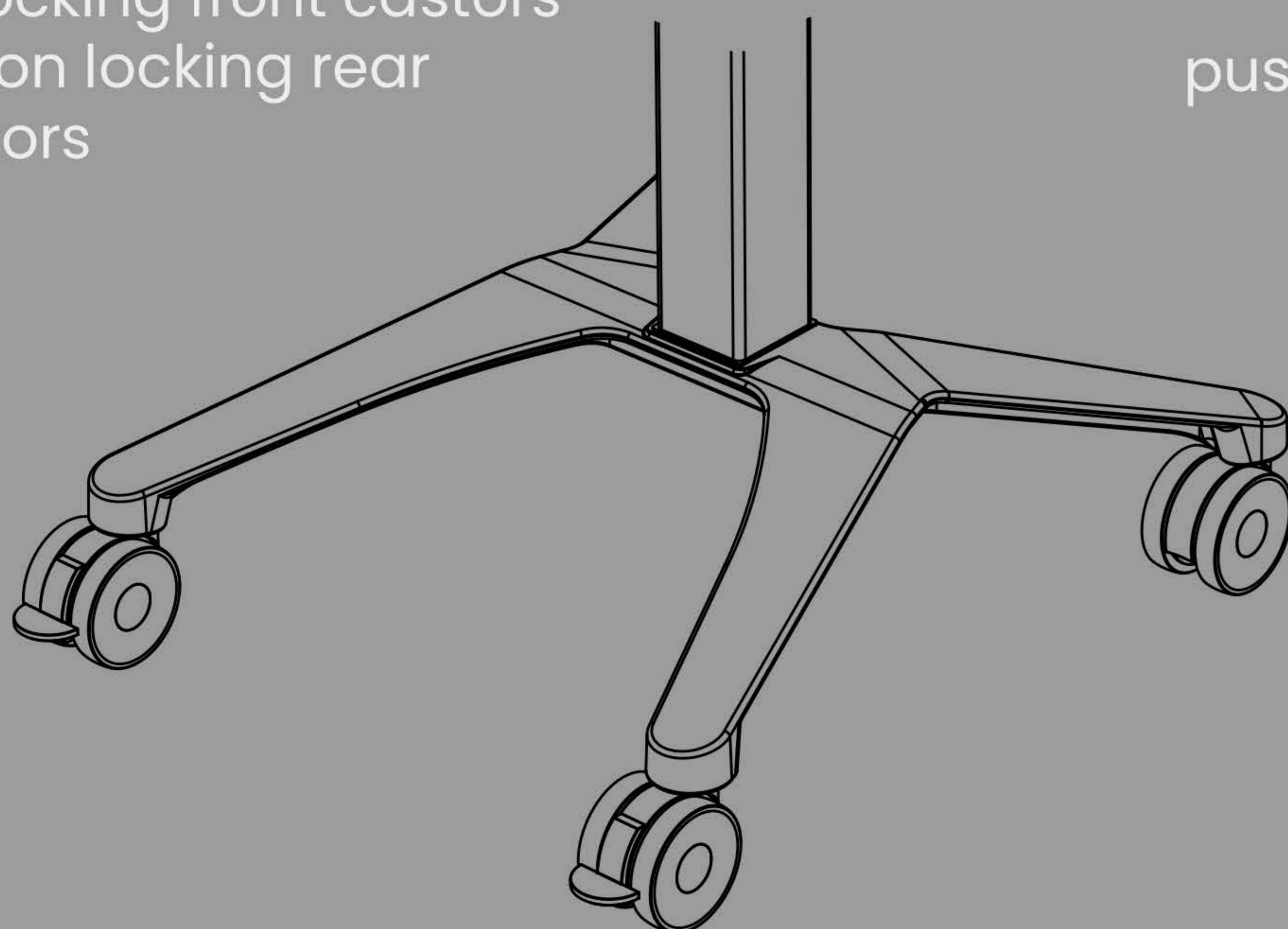
Lift strut lever positioned under worktop. Pull worktop up to raise, push worktop down to lower



Castor Adjustment

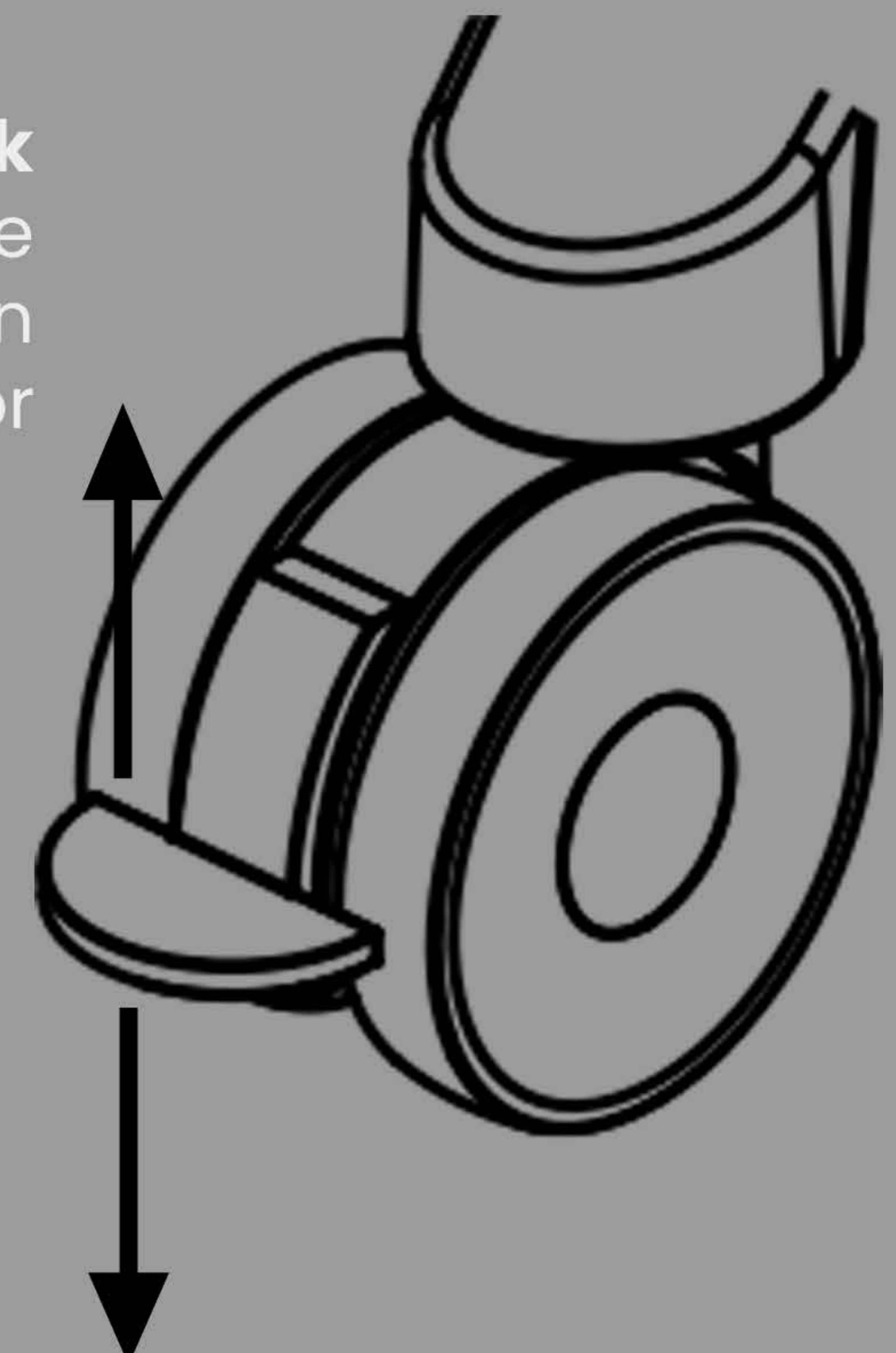
Castors

2x Locking front castors
2x Non locking rear castors



Un-lock

To release the brake push the front lever up on the castor



Lock

To lock the castor press brake lever down with foot