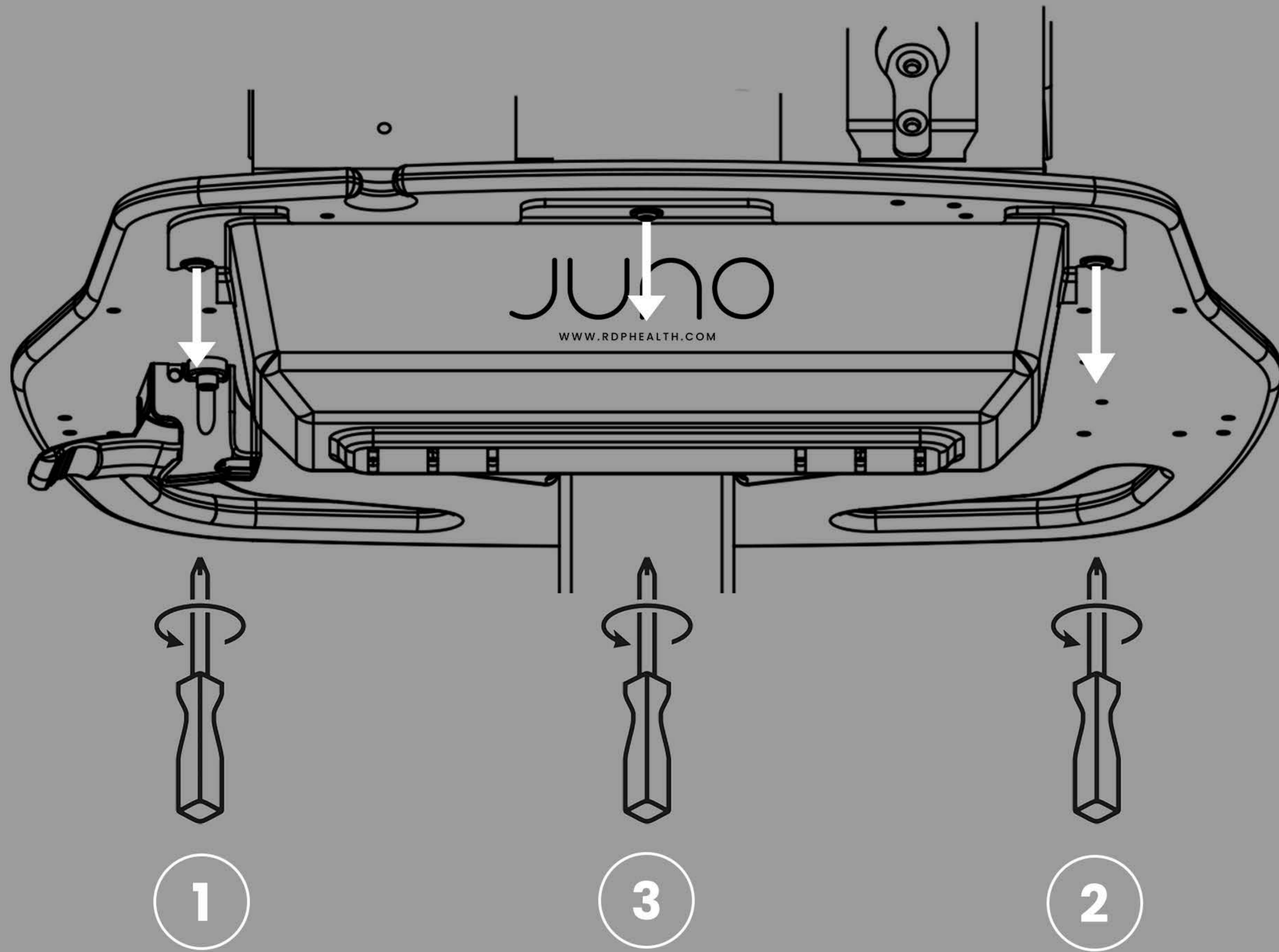
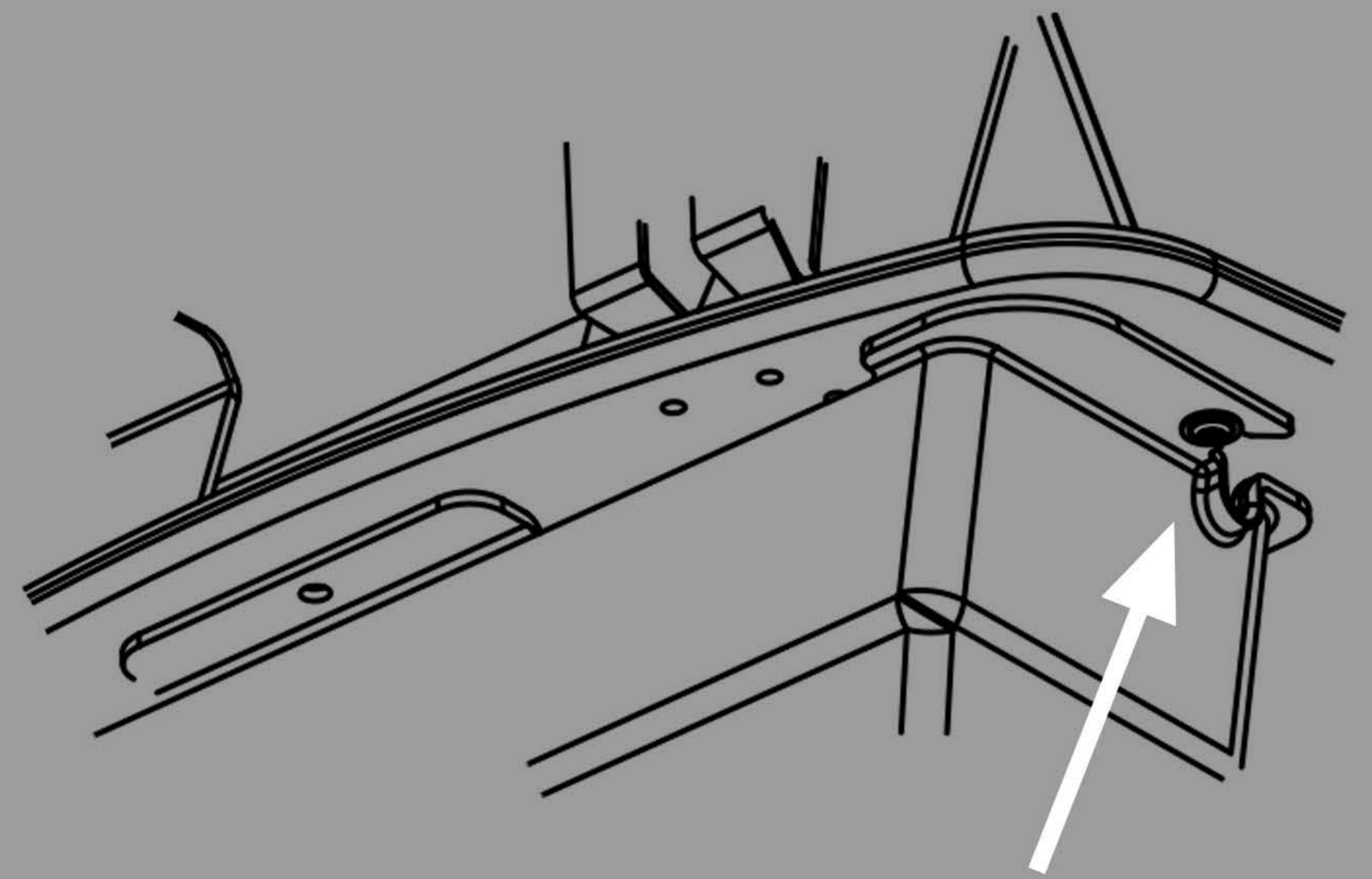


Opening Power Case



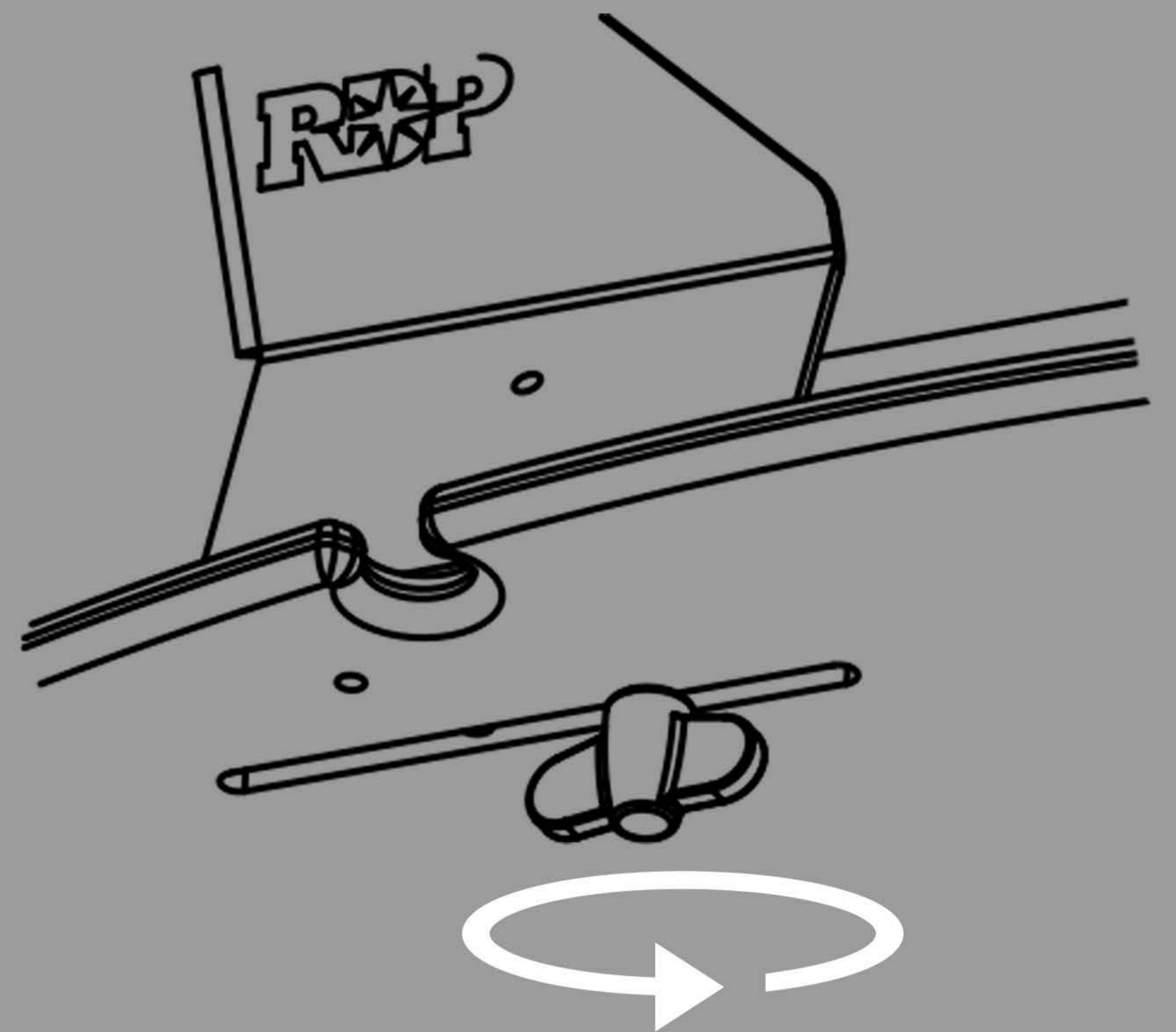
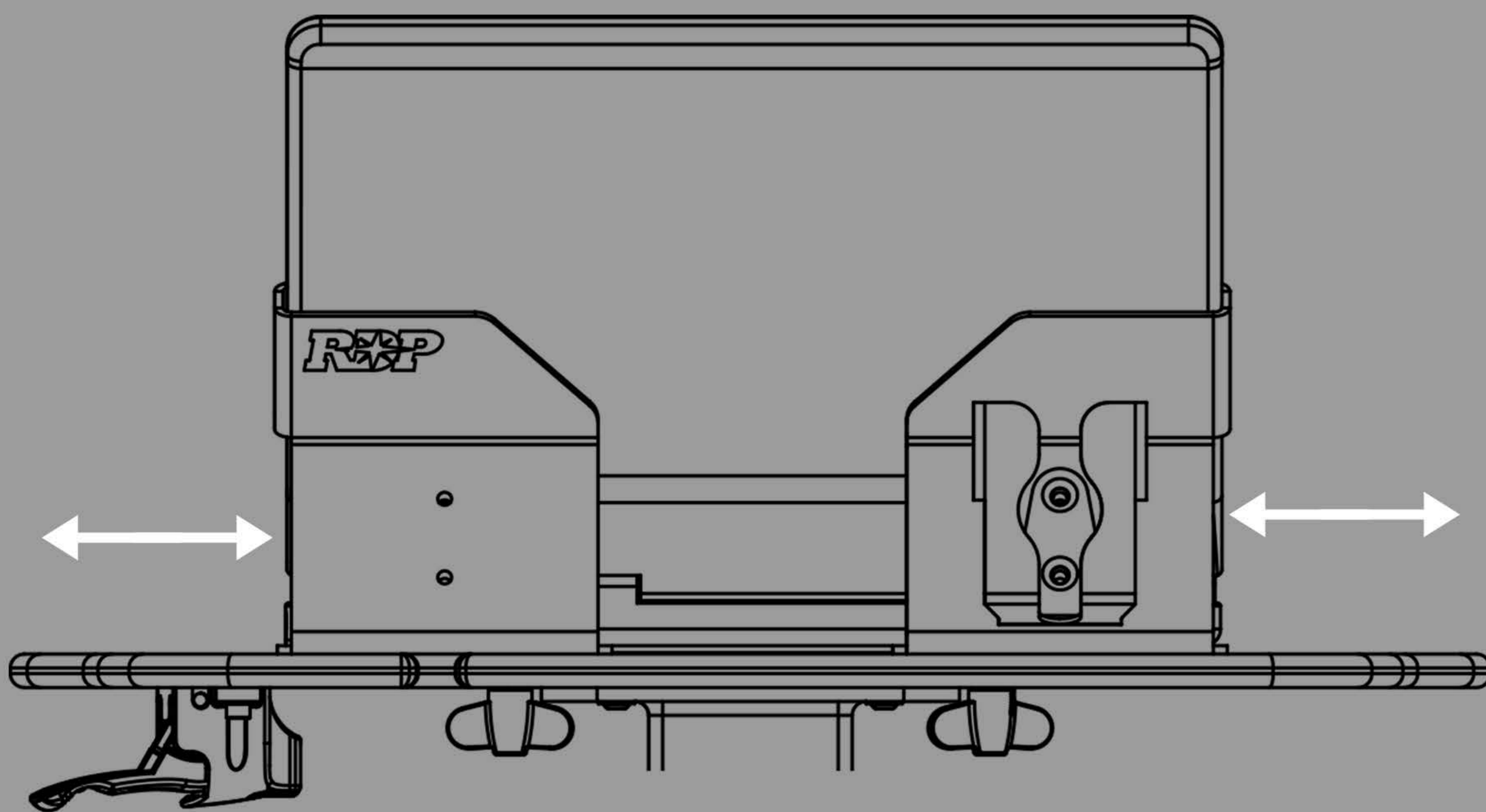
To access Power Case, loosen security screws 1 & 2, completely remove security screw 3 and slide case rearwods to release from cart



Installing Laptop

Laptop Position

Position laptop firmly between the left & right retainers



Securing Retainers

Use 2x wing nuts to secure retainers tightly to worktop