

## Safety & Dangers



### DANGER!

Improper handling of mains cable can cause an electric shock hazard, other serious injuries or damage to the cart.



### WARNING!

Unplug cart from wall before moving to prevent damage to power supply. Moving cart before unplugging is hazardous.



### WARNING!

Keep RDP coiled cable connected to cart at all times.



### WARNING!

Inappropriate handling of the power supply cord, e.g. by kinking, shearing or other mechanical damage is hazardous!



### WARNING!

To avoid risk of electric shock, this equipment must only be connected to a supply mains with protective earth.



### WARNING!

No modification of this equipment is allowed.



### WARNING!

Do not modify this equipment without authorization of the manufacturer.



### WARNING!

If this equipment is modified, appropriate inspection and testing must be conducted to ensure continued safe use of the cart.



# Safety Instructions



## WARNING!

**Important safety instructions. It is important for the safety of persons to follow these instructions. Save these instructions.**

Follow the instructions carefully.

- Any non-observance of this manual may lead to injuries or damage of property.
- Only use the cart if it is in perfect working order.
- If necessary, check the cart functions daily or at each shift change.
- If necessary, check the cart for any damage especially to power supply cables.
- Use the cart exclusively in its original condition.
- Use the cart exclusively with the correct mains supply and RDP supplied coiled cable.
- Ensure that the cart is exclusively operated by qualified personnel.
- Move the cart exclusively on even, hard-surfaced floors.
- Report any damaged parts immediately.
- Ensure that maintenance and installation are performed exclusively by qualified personnel who have been trained by the manufacturer.
- Do not apply excess weight or loads to the cart according to SWL (Safe Working Load).
- Take care to avoid crushing when operating moving parts.
- Ensure that the castors are braked when the cart is stationary.
- Never use the cart in areas where there is a hazard of explosion.
- Never handle the mains plug with wet hands.



# Safety Instructions



Follow the instructions carefully.

- Remove the mains cable exclusively by pulling on the plug at the wall socket.
- Position the mains cable so that there are no kinks or bends in the cable; protect the cable from mechanical wear and tear.
- Improper handling of mains cable can cause an electric shock hazard, other serious injuries or damage the cart.
- Ensure that the moving parts of the cart are not blocked.
- To prevent failures, use exclusively the manufacturer's original accessories and power cable.
- Ensure that the stipulated SWL (Safe Working Load) is not exceeded.
- Ensure that the cart and its components are only modified with the manufacturer's approval.
- Manual positioning of parts of the cart which are designed for electronic positioning (e.g. height adjustment) is forbidden. Otherwise there is a risk of damaging and dysfunction of the actuator or unprompted fall of the worksurface.
- This appliance contains batteries that are only replaceable by skilled personnel.
- Always disconnect the furniture from the supply before assembling, disassembling, performing maintenance or cleaning.
- Examine the appliance frequently for signs of wear or damage.
- This appliance can be used by children aged from 8 years and above and persons with reduced physical, sensory, or mental capabilities or lack of experience and knowledge if they have been given supervision or instruction concerning use of the appliance in a safe way and understand the hazards involved. Children shall not play with the appliance. Cleaning and user maintenance shall not be made by children without supervision.



## Conditions of Use

**The cart may not be used and stored in indoor environments:**

- Where there is a risk of explosion.
- Containing inflammable anaesthetics.



The cart is designed for use in wards and rooms for medical purposes. Electrical installations must therefore meet local standards laying down the necessary conditions for electrical installations.

- Disconnect the cart from the mains in exceptional cases (i.e. earthquake, lightning).

## Correct Use



### **DANGER!**

**Risk of injury or death due to incorrect use of equipment!**

**Always conduct the risk assessments required for the selection of suitable equipment.**

**RDP carts are mobile IT workstations. The stable undercarriage with 4 castors makes it possible for the cart to be controlled by one person.**

### Personnel

- Qualified medical staff
- Any person familiar with the manual

### Use

- Standard care
- Critical care
- Uninterrupted operation



## Incorrect Use

### RDP carts are not suitable for:

- Patients
- Homecare
- Use not fulfilling conditions stated above
- Use other than described in this manual



RDP's efforts in research, design and manufacture ensure products are of the highest quality and fit for their intended purpose. However, RDP can take no responsibility for any damage to the products or any harm to patients, staff or other individuals resulting from:

- Not following the instructions in the manual, including warning notices.
- Using the product for a purpose other than the intended purpose stated in the relevant documentation provided by RDP (see Correct Use).

## Scope of Delivery

### Delivery:

- Upon receipt, check that the shipment is complete as specified on the delivery note.
- Notify the carrier and supplier of any deficiencies or damages immediately as well as in writing or make a note on the delivery note.



### WARNING!

**Damage to the cart due to incorrect use!**

**Use 75mm/100 mm castors exclusively on flat, even surfaces without any gaps.**



## Maintenance



### WARNING!

**A defective cart can cause injuries!**

- Have a defective cart repaired immediately.
- If the defect cannot be repaired, do not use the cart.



### WARNING!

**Incorrect maintenance can damage the cart!**

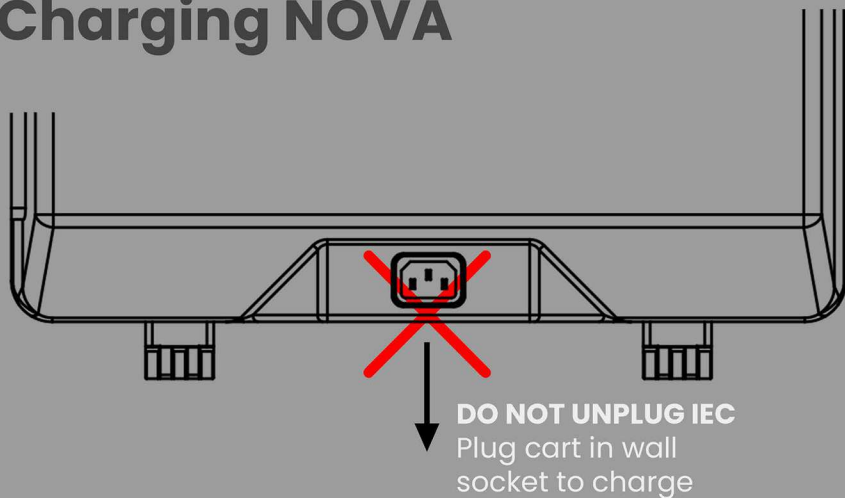
- Remove a defective cart from service and have the defective cart repaired.

## Warranty

This product is covered by a 5 year warranty from the date of delivery. The warranty covers all material and manufacturing-related failures and errors. Failures and errors caused by incorrect use and external effects are not covered. Justified complaints will be fixed free of charge during the warranty period. Proof of purchase, with the date of purchase, is required for all warranty service. Our standard terms and conditions apply.



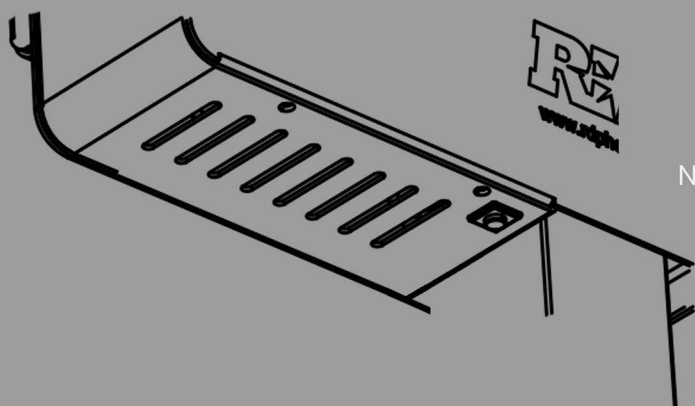
## Charging NOVA



	<b>CAUTION</b>
	<b>UNPLUG CART FROM WALL BEFORE MOVING</b>
<b>DANGER!</b>	
	Improper handling of mains cable can cause an electric shock hazard, other serious injuries or damage the cart.

**WARNING**  
Always unplug cart before moving

## Power On

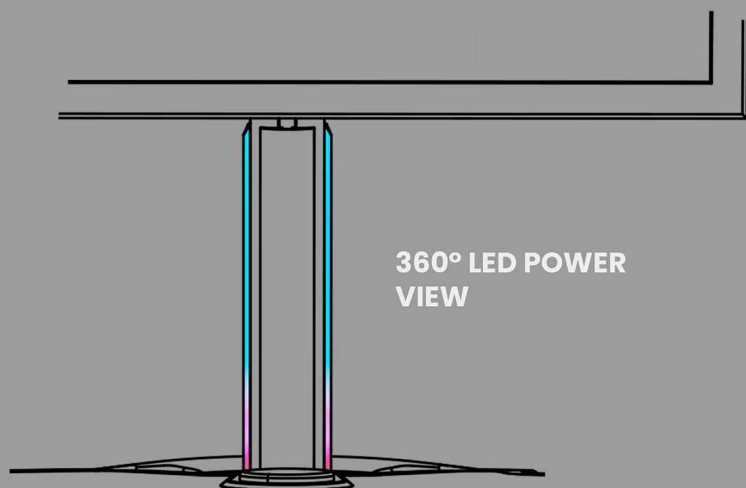


**Switch Positioned on Base of PowerSlice**  
Press button once to turn on cart. To turn off cart press and hold for 5 seconds.

Note: Cart will automatically turn on when plugged in to charge

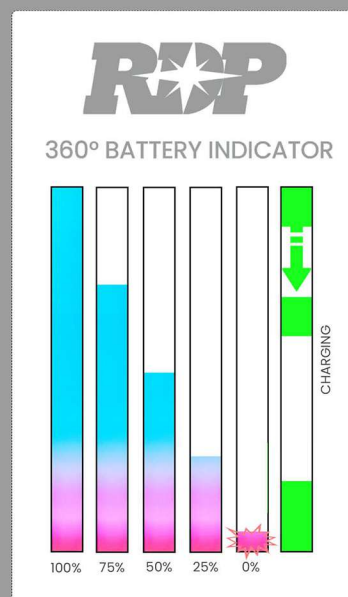


## Power Display

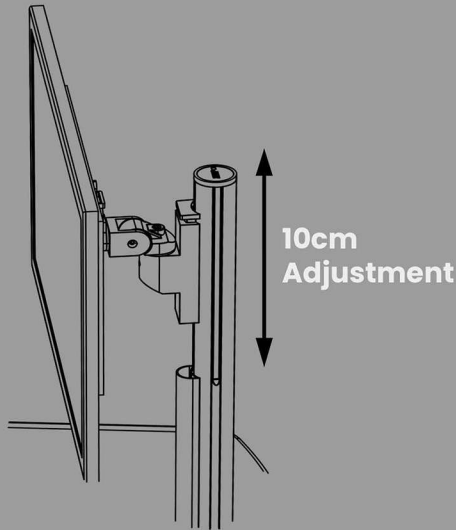


**Battery Indication**  
LED display will illuminate to indicate the battery status of the cart

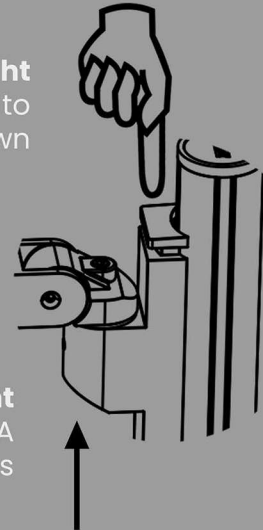
Plug the cart in when not in use



## Monitor Adjustment

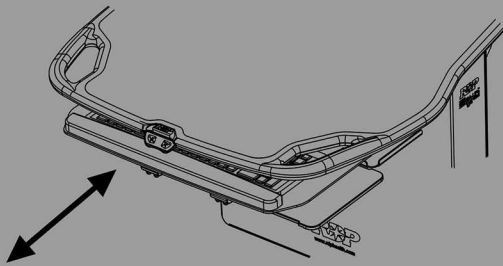


**Lowering Monitor Height**  
Press top button to slide monitor down



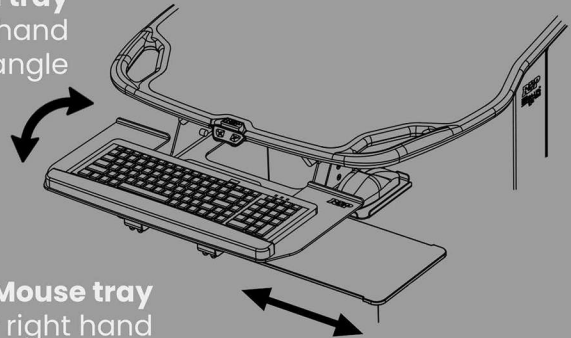
**Increasing Monitor Height**  
Simply lift the screen/VESA to move upwards

## Keyboard Adjustment



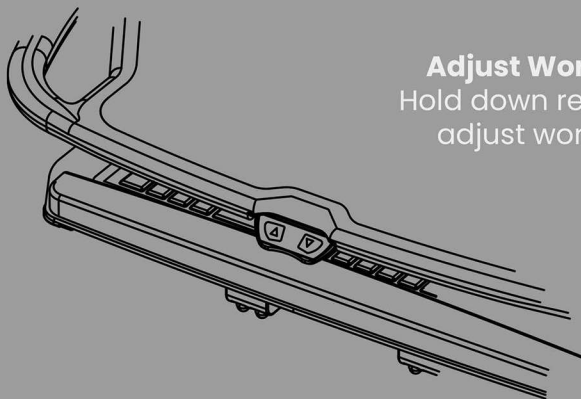
**Pull-out Keyboard**  
Keyboard tray can be pulled out and pushed in by hand

**Tilting Keyboard tray**  
Tilt keyboard by hand to required angle

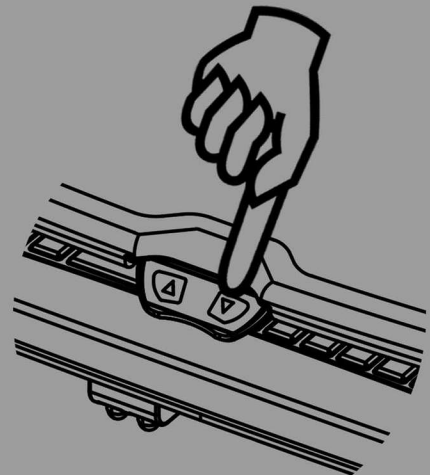


**Pull-out Mouse tray**  
Left or right hand side options

## Cart Height Adjustment



**Adjust Workstation Height**  
Hold down relevant button to adjust worktop to required height

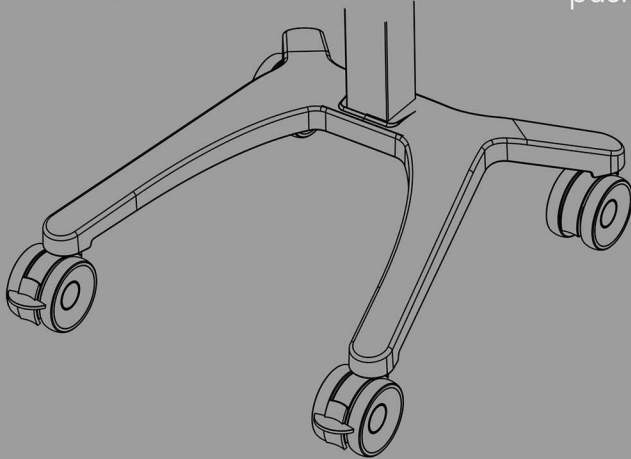




## Castor Adjustment

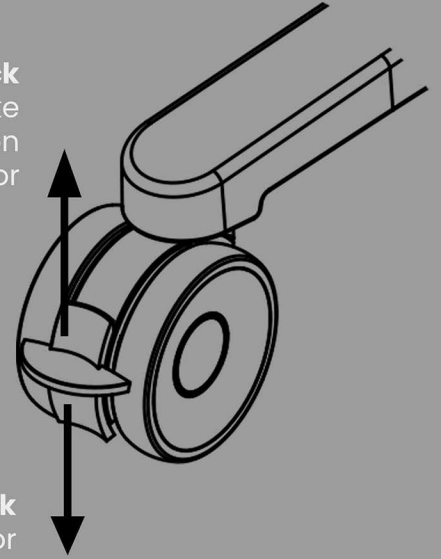
### Castors

- 2x Locking front castors
- 2x Non locking rear castors



### Un-lock

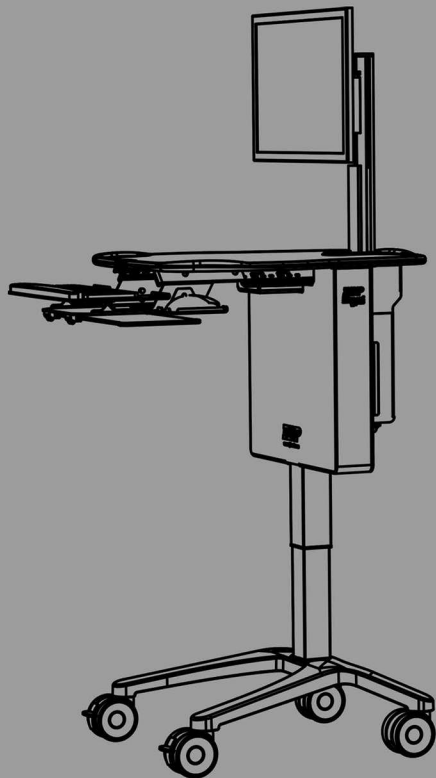
To release the brake push the front lever up on the castor



### Lock

To lock the castor press brake lever down with foot

## Working/Moving Adjustment

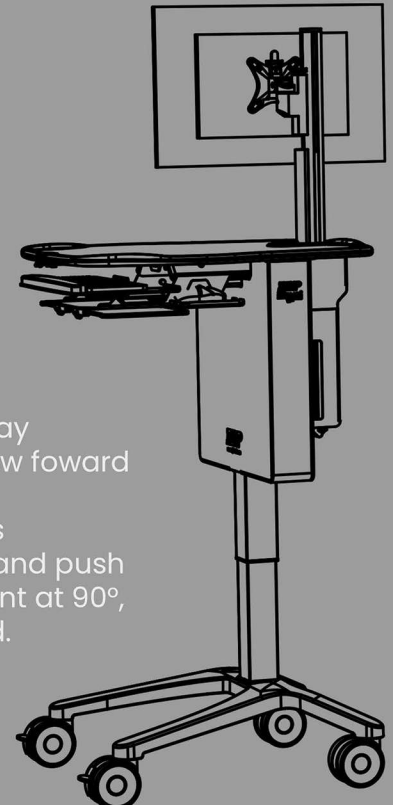


### Working

- Apply Cart brakes
- Adjust height of worktop to user preference
- Adjust the top of the monitor to one inch below eye level
- Tilt screen
- Pull Keyboard tray out & mouse tray

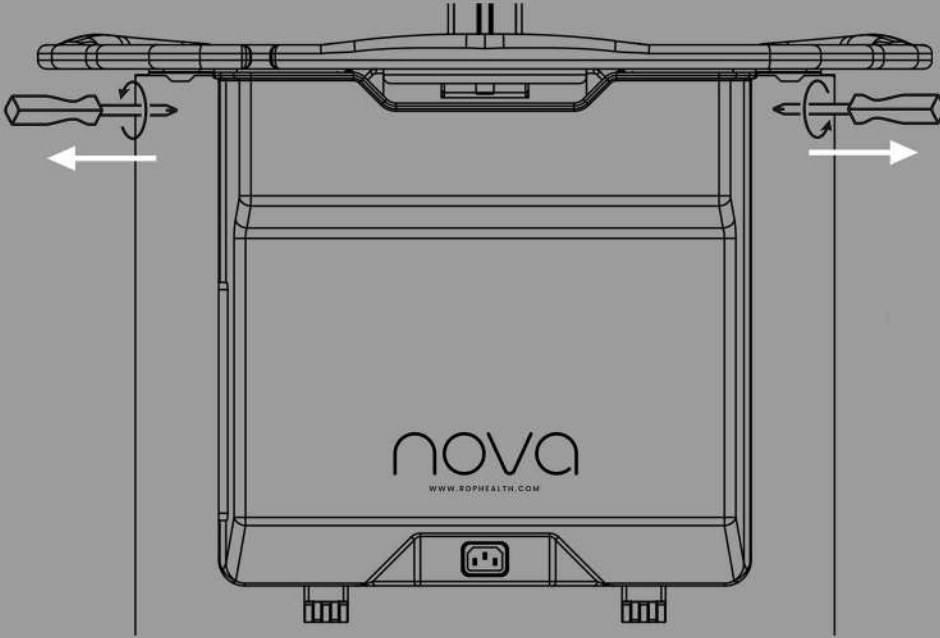
### Moving

- Push in keyboard tray
- Turn monitor to allow forward visibility
- Unlock front castors
- Hold front handles and push cart with elbows bent at 90°, lower cart if needed.



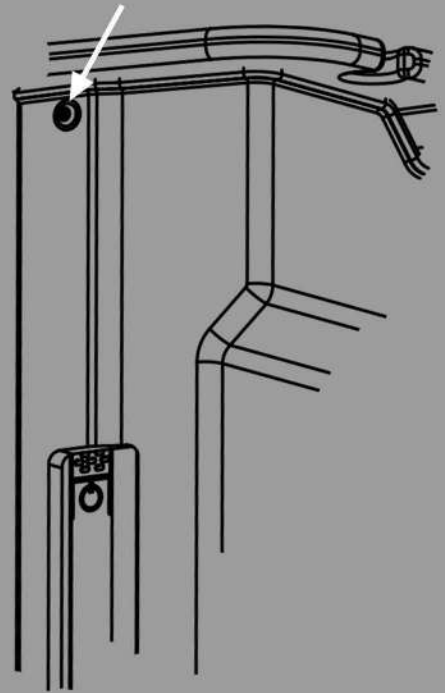
## Opening PC Case

To access PC case, remove 2x security screws at either side of case.

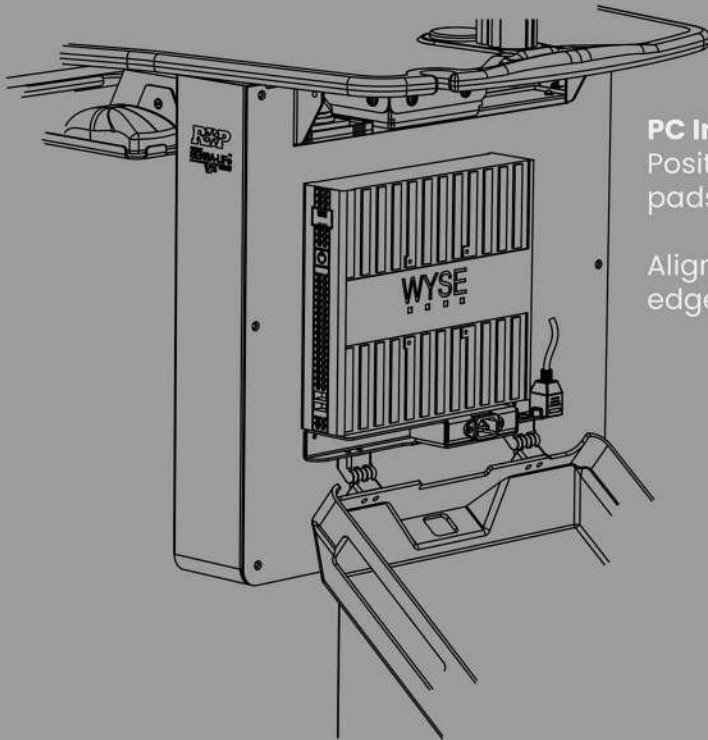


### WARNING

Only remove PC case screws as shown:



## Installing PC



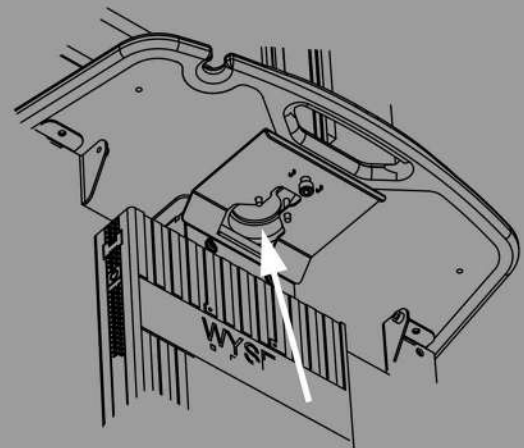
### PC Installation

Position PC with velcro pads (Supplied)

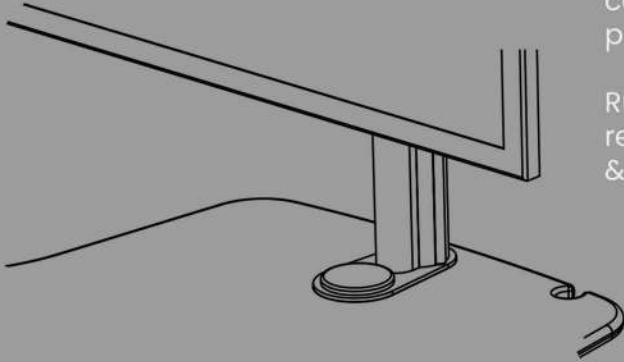
Align PC with bracket edge

### Monitor Cables

Can be passed through hole provided in worktop after removing grommet



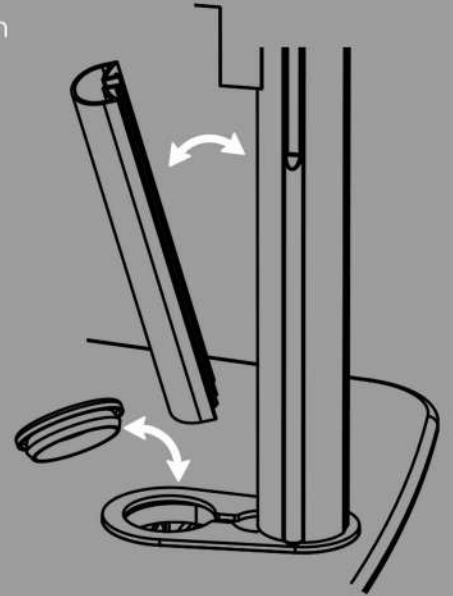
## Cable Management



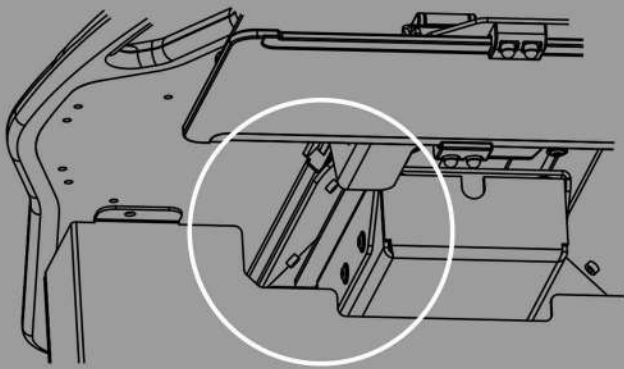
### Monitor Cables Continued

Remove grommet & cable chase on screen post.

Run cables and replace grommet & cable chase



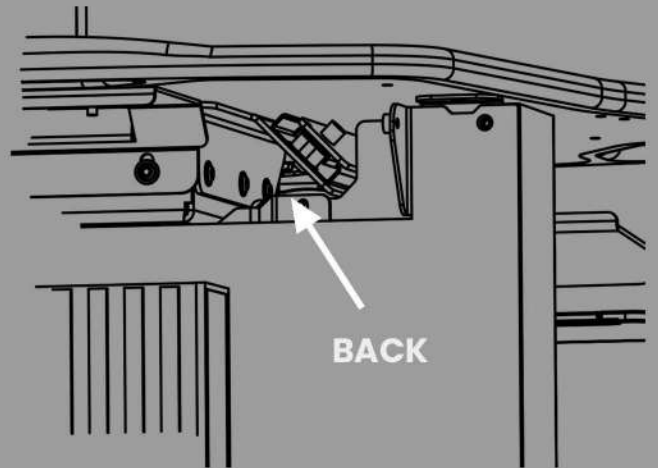
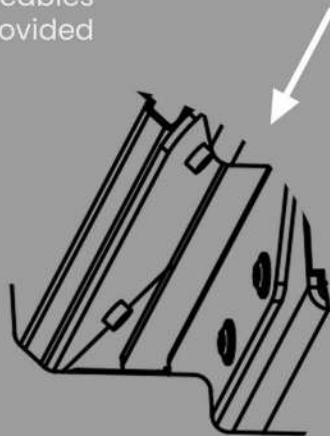
## Pull Out Keyboard Cable Management



### Keyboard Cables

Keyboard and mouse cables feed through channel provided

FRONT



BACK

