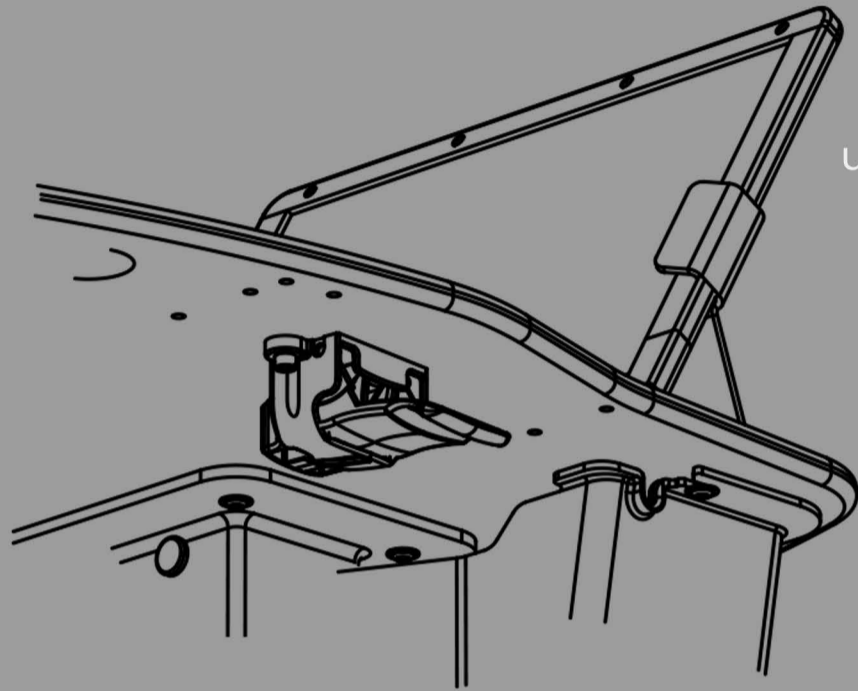
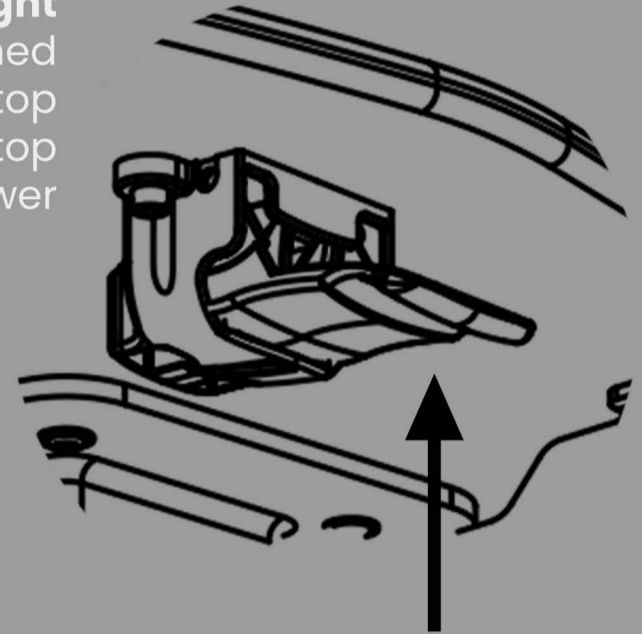


Cart Height Adjustment



Adjust Workstation Height

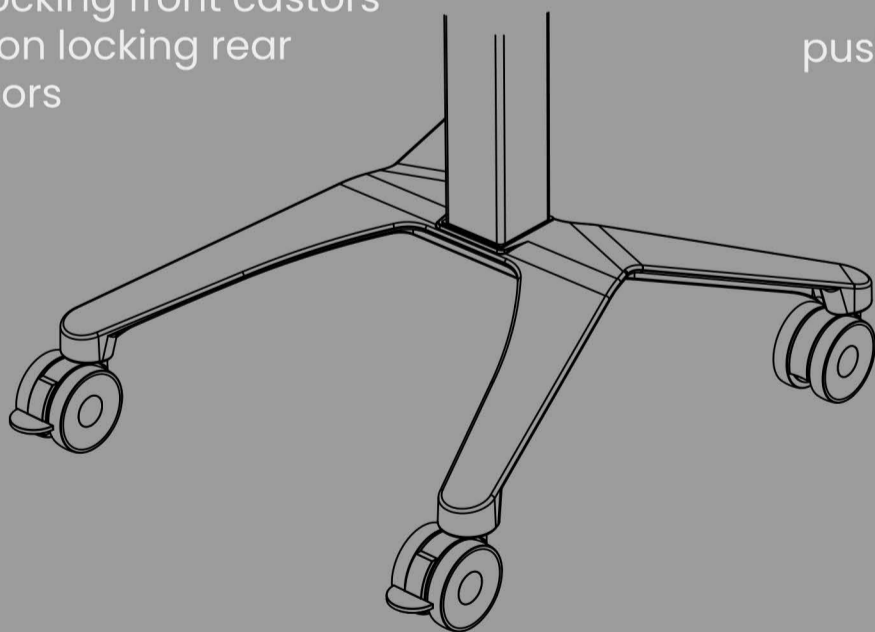
Lift strut lever positioned under worktop. Pull worktop up to raise, push worktop down to lower



Castor Adjustment

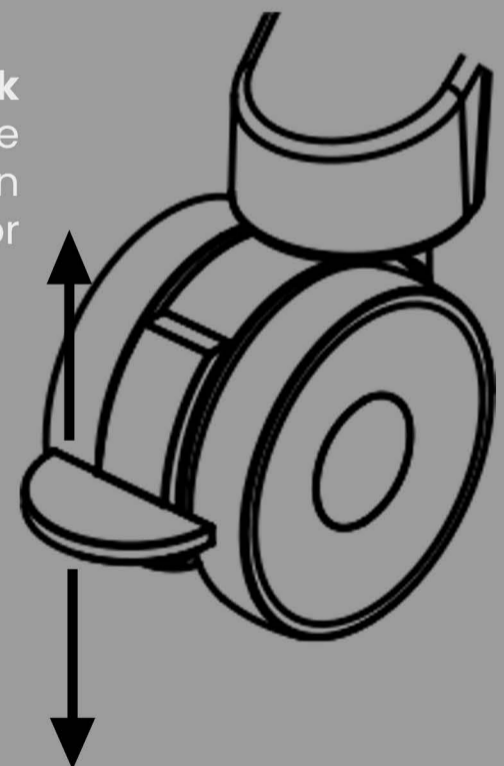
Castors

2x Locking front castors
2x Non locking rear castors



Un-lock

To release the brake push the front lever up on the castor

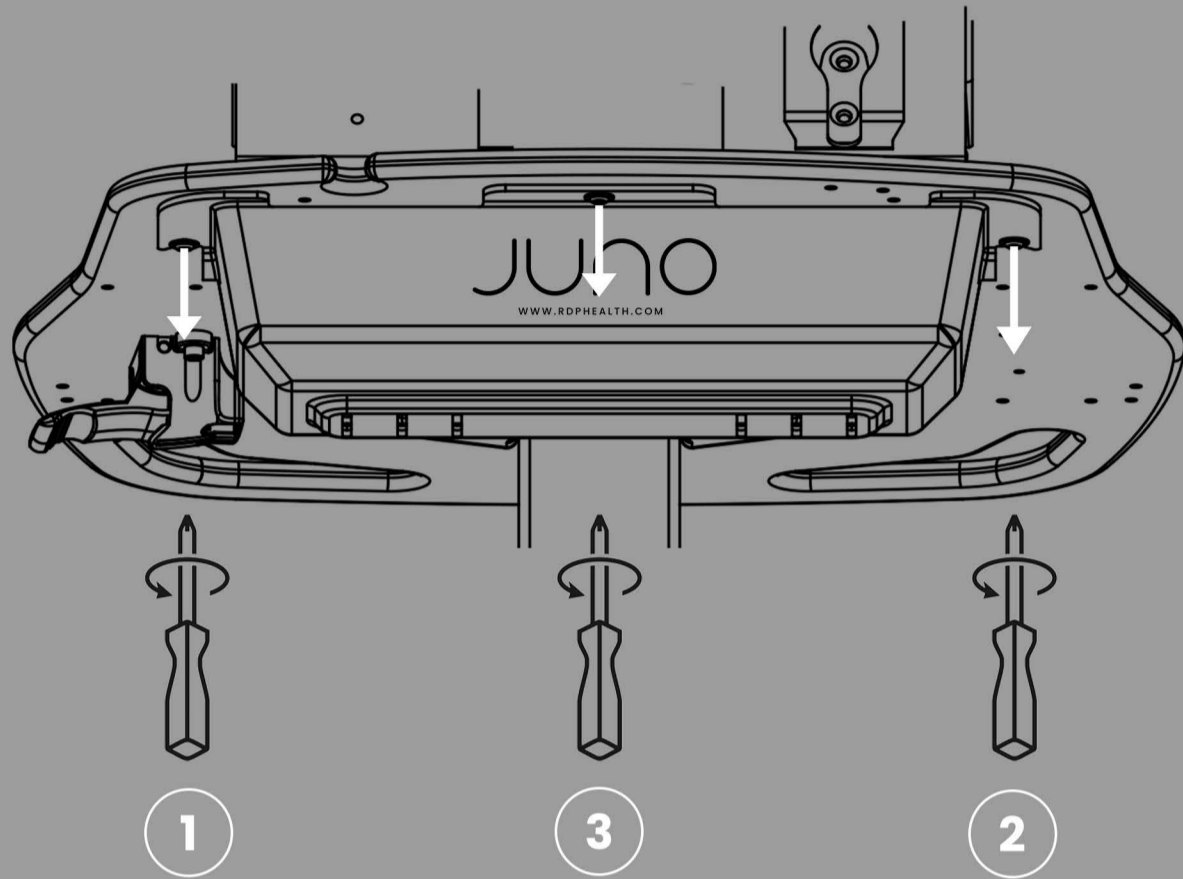


Lock

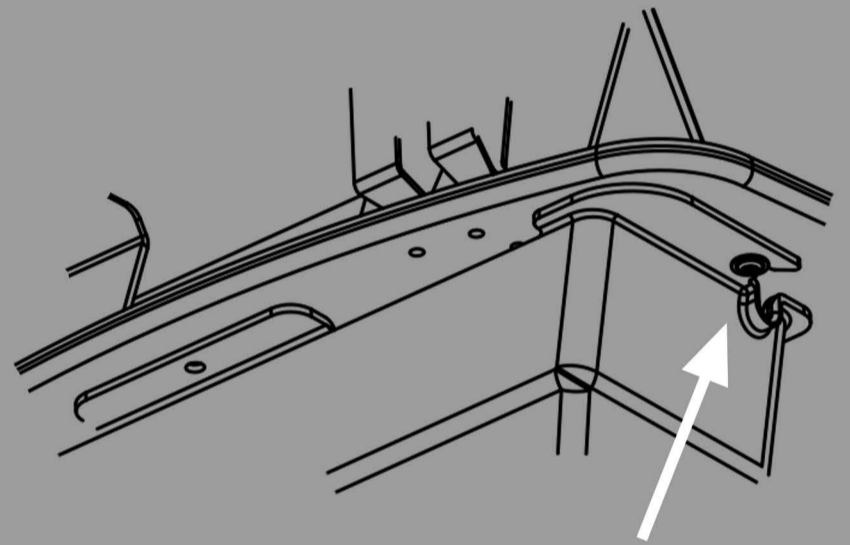
To lock the castor press brake lever down with foot



Opening Power Case



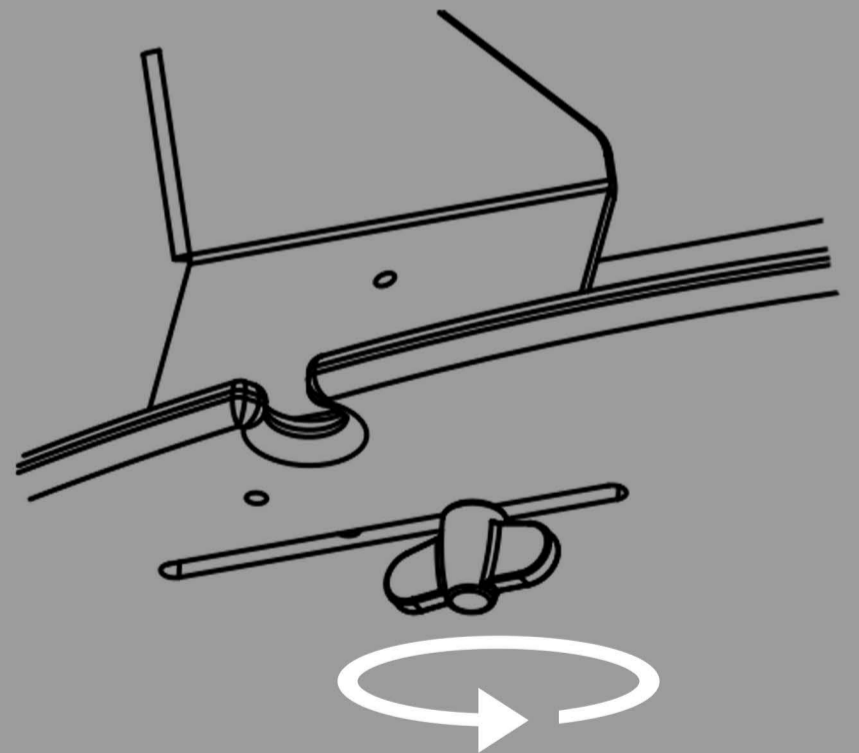
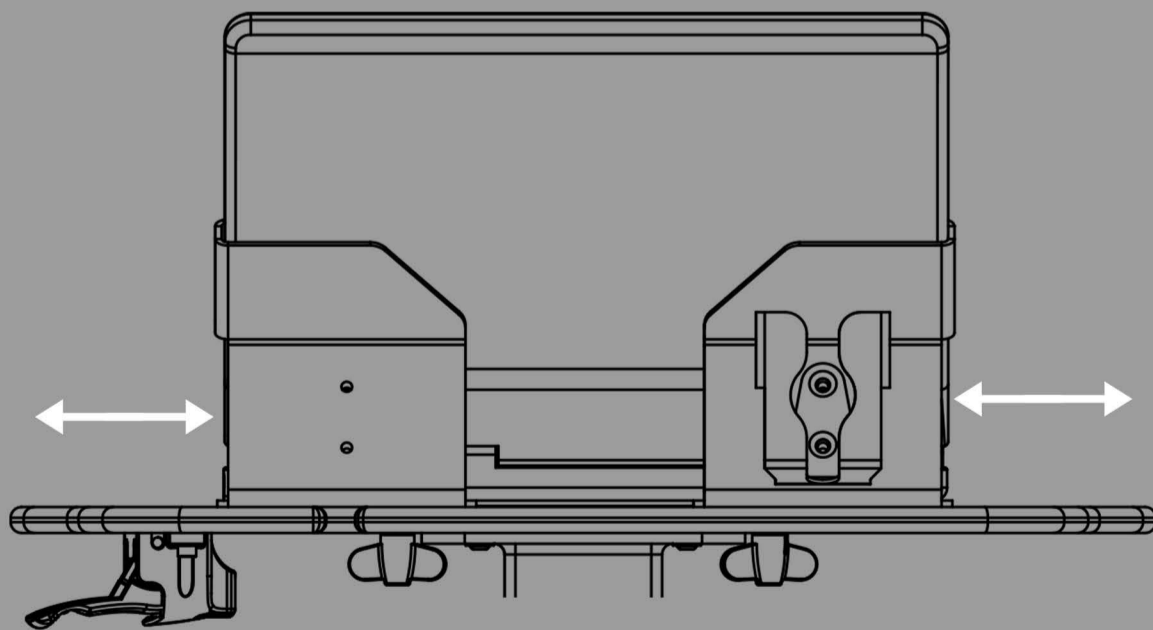
To access Power Case, loosen security screws 1 & 2, completely remove security screw 3 and slide case rearwods to release from cart



Installing Laptop

Laptop Position

Position laptop firmly between the left & right retainers



Securing Retainers

Use 2x wing nuts to secure retainers tightly to worktop